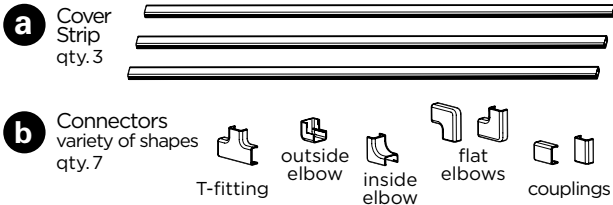
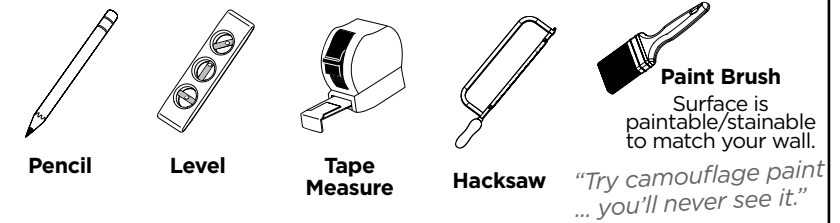


- ⚠ WARNING:** Not to be use to extend hard-wired (permanent) electrical wiring. Two power cord maximum capacity. Do not loop cord.
- 📌 IMPORTANT:** Wall surface must be clean. Do not use on textured surfaces.

What's in the Box

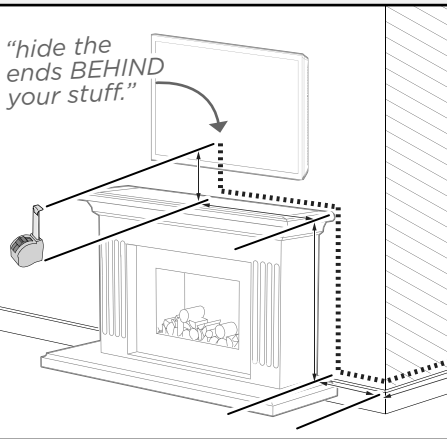


Grab your Tools

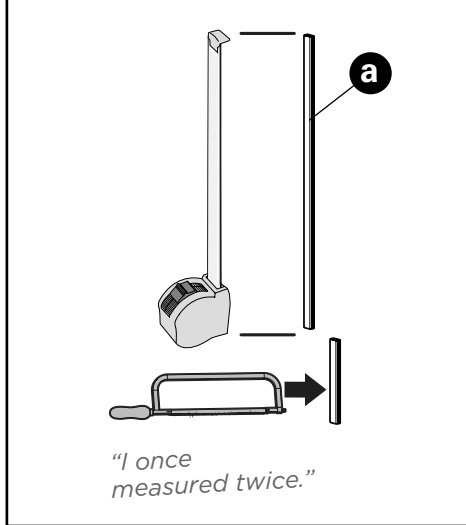


1. Measure Location(s)

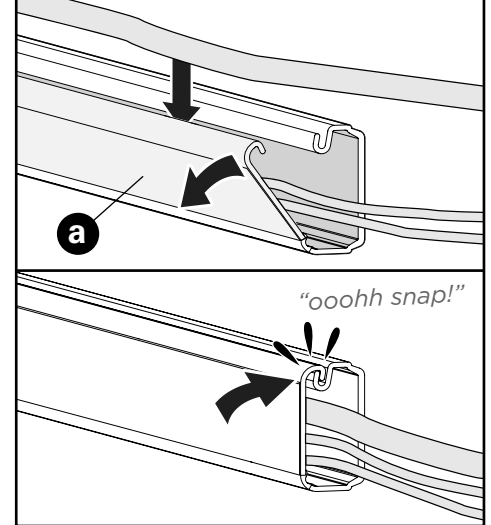
💡 TIP: BEFORE adhering to the wall, verify the spacing needed between strips **a** and connector(s) **b** for proper fit.



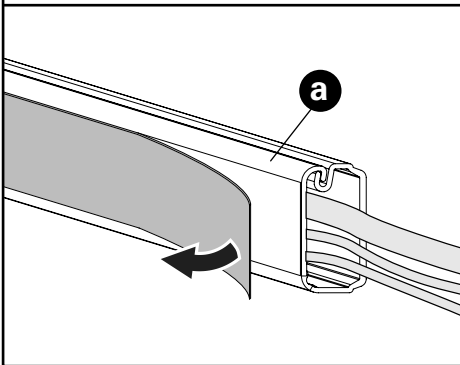
2. Cut to Length(s)



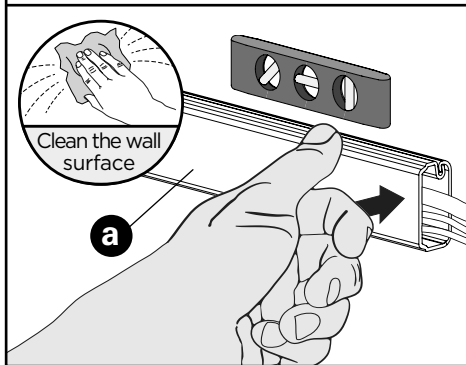
3. Secure Cables



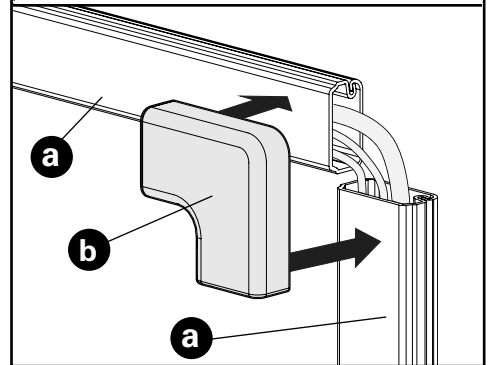
4. Peel Liner from Tape



5. Press Firmly in Place



6. Attach Connectors



Confuzzled? Call the ECHOGEAR Pros:

📞 1-855-428-2490

✉ helpmehelpyou@ECHOGEAR.com

"Wanna show off your hard work?"

Share a picture of your completed project with **#YourGearUpgraded**.

Who knows, it might not be as bad as you thought"

Milestone AV Technologies and its affiliated corporations and subsidiaries (collectively, "Milestone"), intend to make this manual accurate and complete. However, Milestone makes no claim that the information contained herein covers all details, conditions, or variations. Nor does it provide for every possible contingency in connection with the installation or use of this product. The information contained in this document is subject to change without notice or obligation of any kind. Milestone makes no representation of warranty, expressed or implied, regarding the information contained herein. Milestone assumes no responsibility for accuracy, completeness or sufficiency of the information contained in this document.

©2018 Milestone AV Technologies. All rights reserved. ECHOGEAR is a Milestone brand. ECHOGEAR and the ECHOGEAR logo are trademarks of Milestone. Made in USA.

Milestone Global Headquarters • 6436 City West Parkway • Eden Prairie, MN 55344 USA