



See Online Manual
for Latest Version

LET'S SEE THOSE DIY SKILLS!

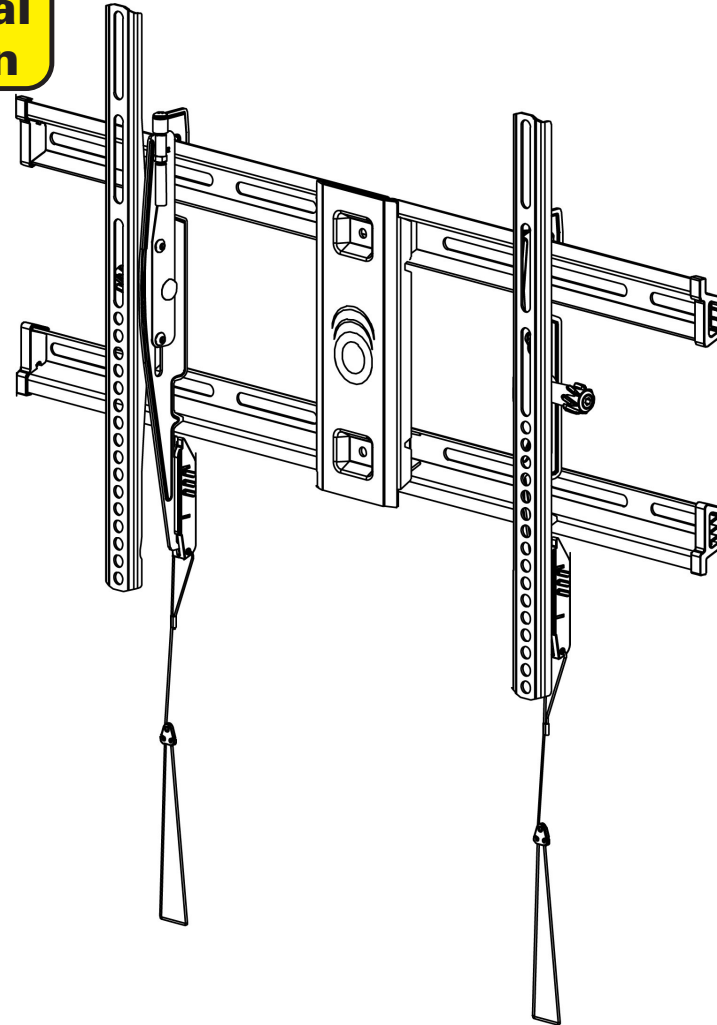
Tag @echogear with your finished setup
for a chance to win some merch.



Tilting TV Wall Mount

Model EGLT3

INSTRUCTION MANUAL



IMPORTANT SAFETY INSTRUCTIONS

Please read through these instructions completely to be sure you're comfortable with this easy install process.

Check your TV owner's manual to see if there are any special requirements for mounting your TV.

If you do not understand these instructions or have doubts about the safety of the installation, assembly or use of this product, contact Customer Service.

⚠ CAUTION: Avoid potential personal injuries and property damage!

- This product is designed **ONLY** to be installed into wood stud, solid concrete or concrete block or steel stud walls. — **DO NOT INSTALL INTO DRYWALL ALONE — DRYWALL ALONE WILL NOT HOLD THE WEIGHT OF YOUR TV.**
- This product is designed for **INDOOR USE ONLY.**
- The wall must be capable of supporting five times the weight of the TV and mount combined.
- Do not use this product for any purpose not explicitly specified by manufacturer.
- Manufacturer is not responsible for damage or injury caused by incorrect

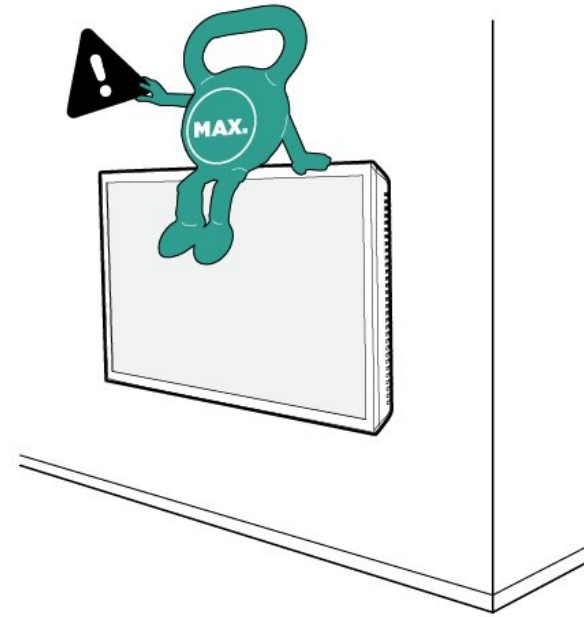
assembly or use.

WEIGHT LIMIT

Your TV (including accessories) CANNOT EXCEED **135 lbs. (61.2 kg)** for this mount.

⚠ CAUTION: DO NOT exceed the maximum weight indicated. If your TV weighs more, this mount is NOT compatible.

👉 [Visit echogear.com](http://echogear.com) to find a compatible mount.



BEFORE YOU BEGIN

1 Install any accessories you may have purchased – if they require the TV to be removed for assembly. The TV is removable for future accessory purchases.

2 Your product sticker may be inaccessible after mounting. **BEFORE MOUNTING YOUR TV:**

Record your TV information and save for future use.

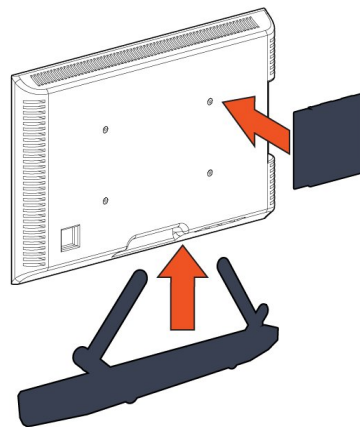
or, take a photo of your TV sticker and save for future use.

TIP: Take a photo of your TV's cable ports to help connect your cables after installation.

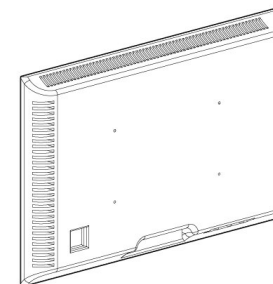
3 Remove the stand from your TV if attached.

4 Protect the face of your TV when laying down for installation.

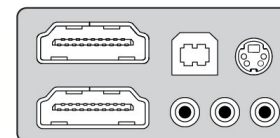
1



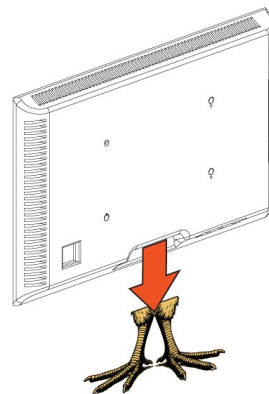
2



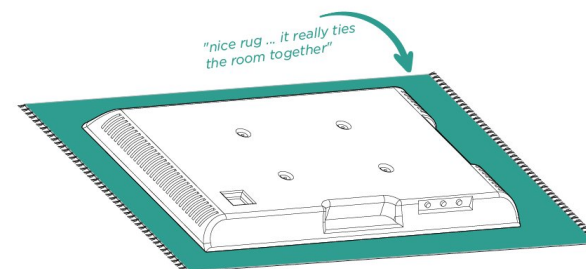
Brand:	_____
Model No.:	_____
Serial No. (S/N):	_____
Version/SCC/Other:	_____



3



4

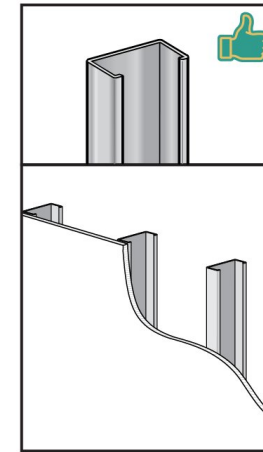
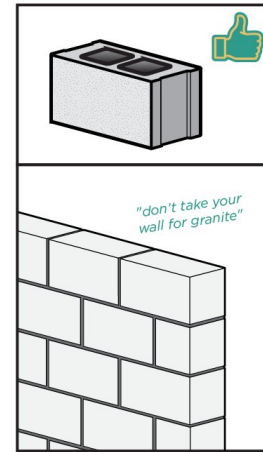
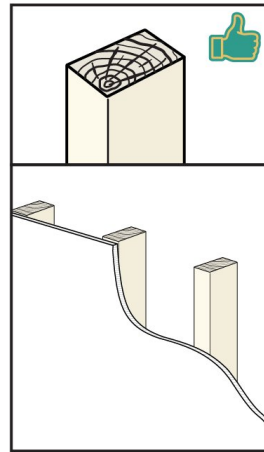


ACCEPTABLE WALL TYPES

WOOD STUD

⚠ CAUTION: Avoid potential personal injuries and property damage!

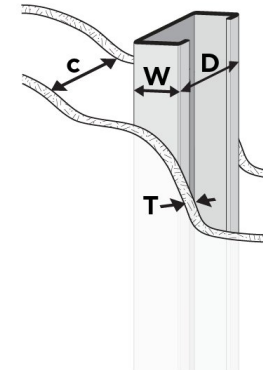
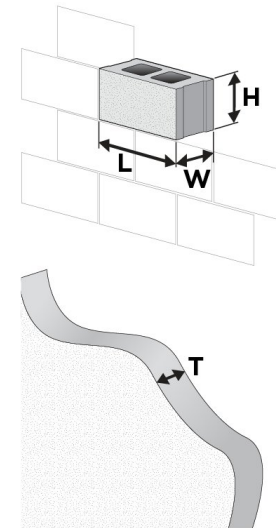
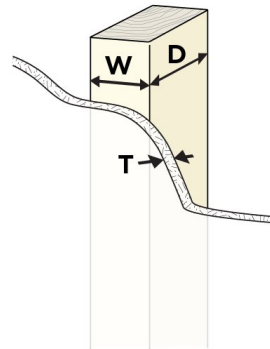
- Drywall covering the wall must not exceed [T]: 5/8 in. (16 mm).
- Minimum wood stud size: nominal [W x D]: 2 x 4 in. (51 x 102 mm) actual [W x D]: 1 1/2 x 3 1/2 in. (38 x 89 mm).



SOLID CONCRETE / CONCRETE BLOCK

⚠ CAUTION: Avoid potential personal injuries and property damage!

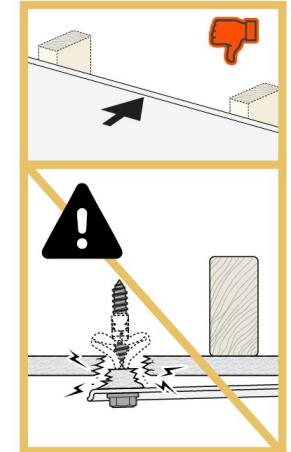
- Minimum solid concrete thickness [T]: 8 in. (203 mm).
- Minimum concrete block size: [W x H x L]: 8 x 8 x 16 in. (203 x 203 x 406 mm).
- Mount wall plate directly onto the concrete surface (no surface covering).



STEEL STUD

⚠ CAUTION: Avoid potential personal injuries and property damage!

- Studs must be at least [W x D]: 2x4 in. / 25 ga.
- If back side of wall is unfinished, drywall must be installed to a minimum of one stud left and right of the stud(s) being used to install the mount.



"DO NOT install in drywall alone ... unless you WANT to watch your TV crash to the floor"

- Drywall must be a minimum of [T]: 1/2 in. (13 mm) thick on each side of the studs, and a minimum clearance [C] of 1 in. (48 mm) behind the wall is required.
- Stud type and structural strength must conform to the North American Specification for the Design of Cold-Formed Steel Structural Members [362 S 125 18, C-Shape, S - Stud Section].
- Drywall must be secured to studs with screws 12 in. (304.8 mm) on center.

⚠ CAUTION: DO NOT INSTALL INTO DRYWALL ALONE — DRYWALL ALONE WILL NOT HOLD THE WEIGHT OF YOUR TV.

For questions, contact The ECHOGEAR Pros:

🌐 www.echogear.com

TOOLS NEEDED

Tape Measure
Pencil
Tape
Phillips Screwdriver
Level
7/16 Socket
Drill

For Wood Stud:

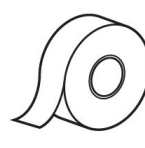
Stud Finder
Awl
1/8 Drill Bit

For Concrete:

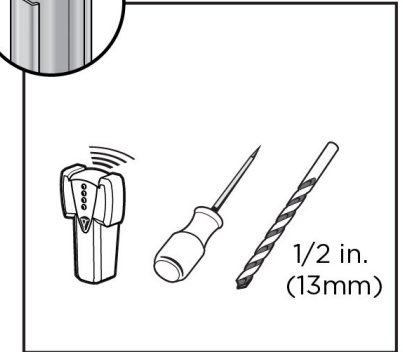
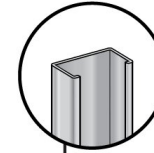
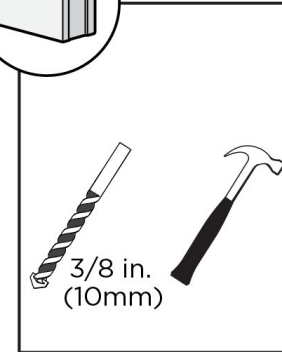
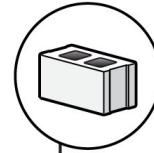
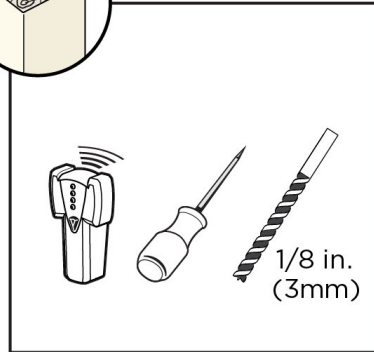
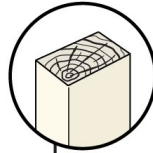
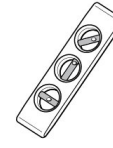
3/8 Drill Bit
Hammer

For Steel Stud:

Stud Finder
Awl
1/2 Drill Bit



*"Phil wants ALL
of his tools back"*



WHAT'S IN THE BOX

⚠ WARNING: DON'T FEED TO CHILDREN!

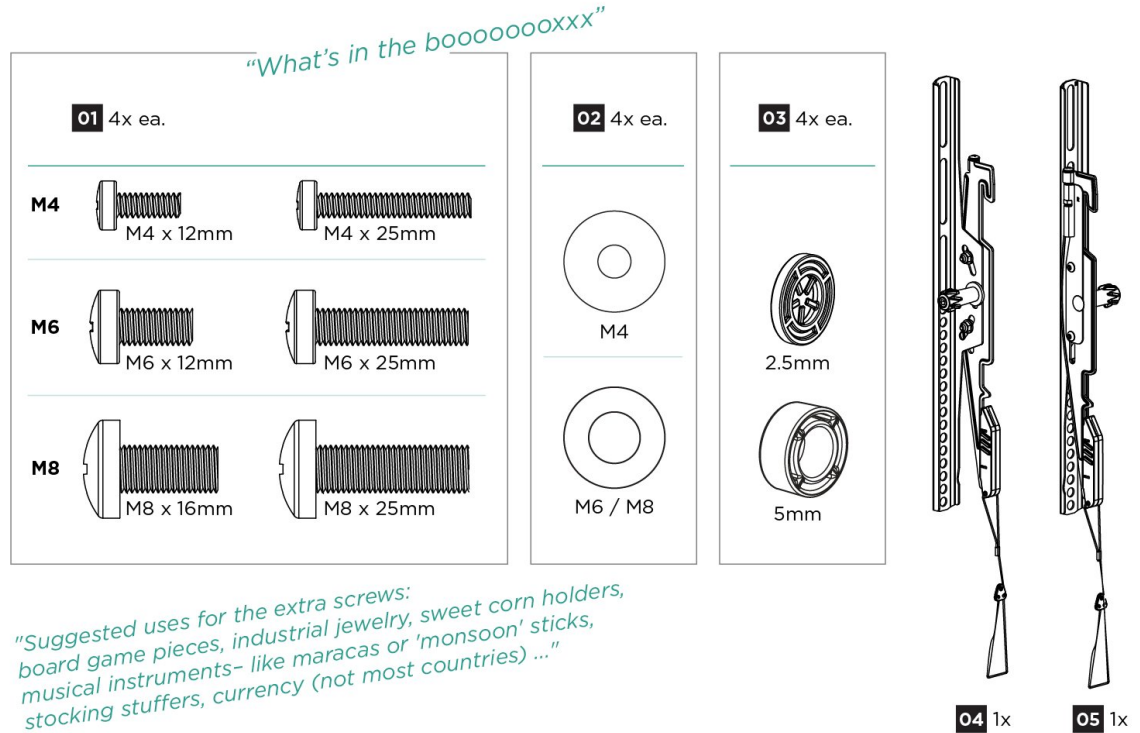
This product contains small items that could be a choking hazard if swallowed. Before starting assembly, verify all parts are included and undamaged. If any parts are missing or damaged, do not return the damaged item to your dealer; contact The ECHOGEAR Pros. Never use damaged parts!

Parts for STEP 1

Note: Not all hardware included in this kit will be used.

Note: Only one size TV screw [01] fits your TV.

Note: Spacers [03] supplied if needed.

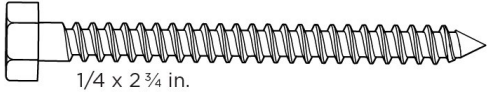


WHAT'S IN THE BOX

Parts for STEP 2

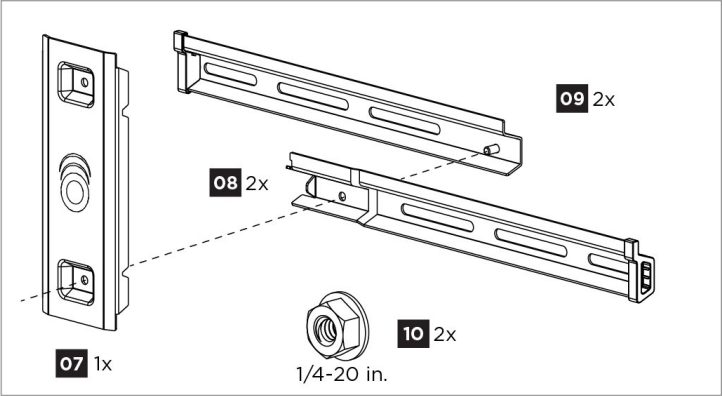
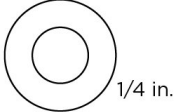
Parts for Step 2C are not included. Order the Steel Stud Anchor Kit: EGHWSS Sold online at ECHOGEAR.com or Amazon.

06 1x



11 4x

12 4x



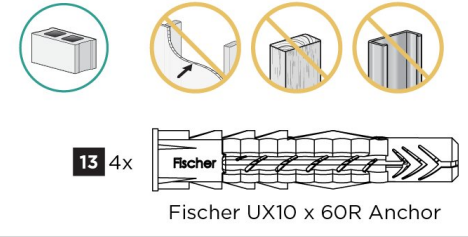
07 1x

08 2x

09 2x

10 2x

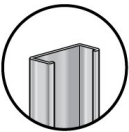
1/4-20 in.



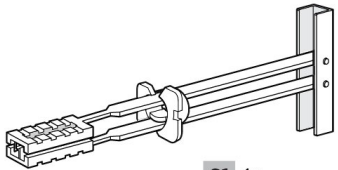
13 4x

Fischer UX10 x 60R Anchor

EGHWSS for STEP 2C

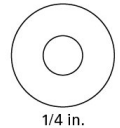


S1 4x



S2 4x

1/4-20 x 1 3/4 in.



1/4 in.

S3 4x



1/2 in.
(13 mm)

S4 1x

STEP 1

ASSEMBLE THE TV BRACKETS

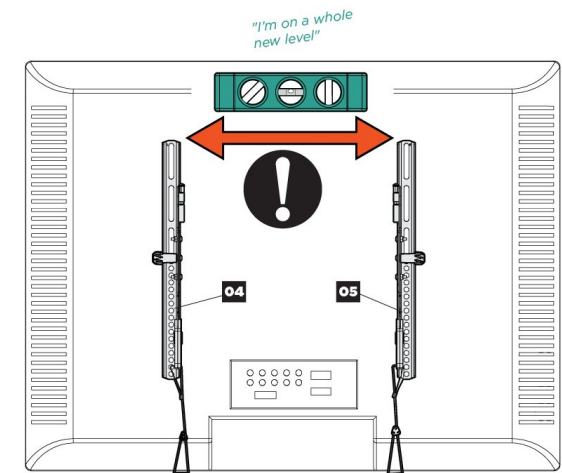
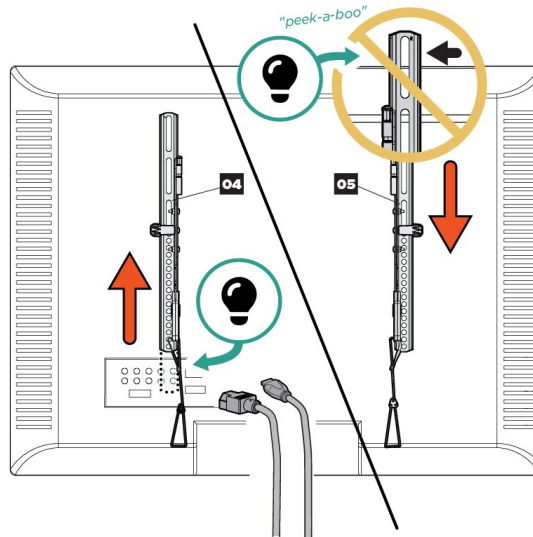
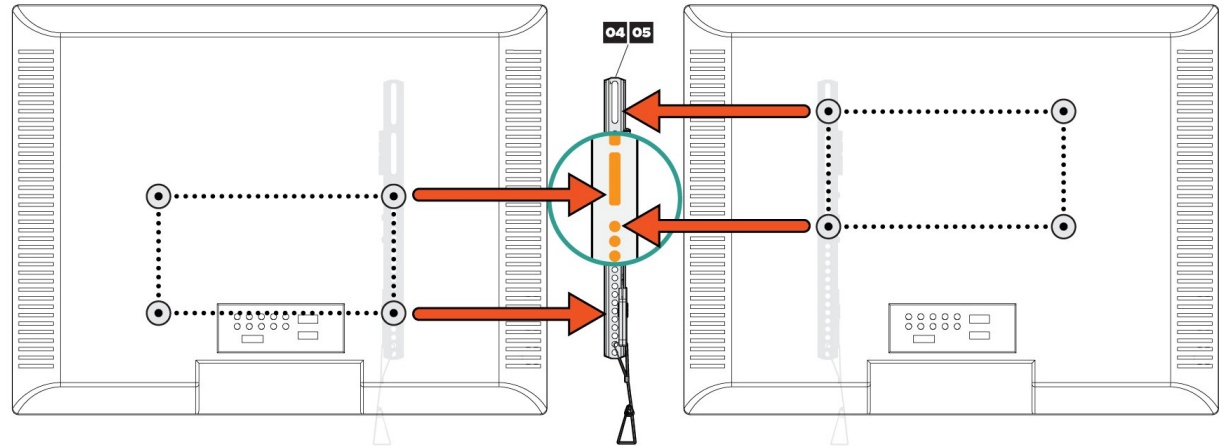
1.1 POSITION TV BRACKETS ON YOUR TV

Extra hole positions in TV brackets [04/05] accommodate LOW or HIGH TV (VESA) hole patterns.

TIP: Install TV brackets [04/05] higher or lower if needed.

IMPORTANT: TV brackets [04/05] must be level.

1.1



1.2 SELECT SCREW DIAMETER

NOTE: ONLY ONE SIZE TV SCREW [01] FITS YOUR TV.

1.3 SELECT SCREW LENGTH

⚠ - 1 CAUTION:

MINIMUM Three (3) Full Turns of Thread Engagement.

⚠ - 2 CAUTION:

If Screws [01] Hit the Bottom of Your TV, Use Spacers [03].

⚠ - 3 CAUTION:

If Your TV Included Spacers or Adapters, Use Them UNDER the Mount Hardware.

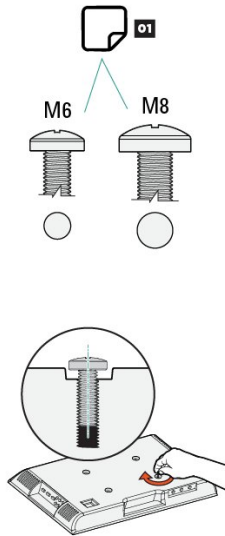


No spacer [03] needed for **Flat Back TV** AND TV brackets [04/05] lay flat on your TV.

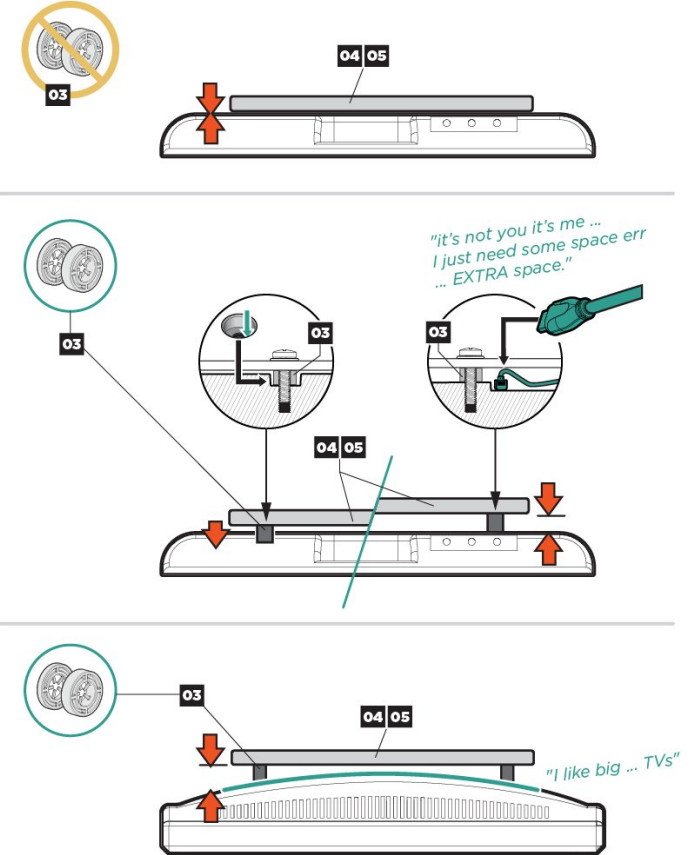
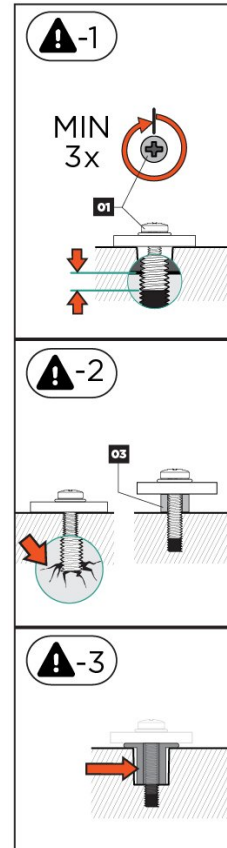


Use spacer(s) [03] for **Flat Back TV** with deep inset holes or cable interference.

1.2



1.3





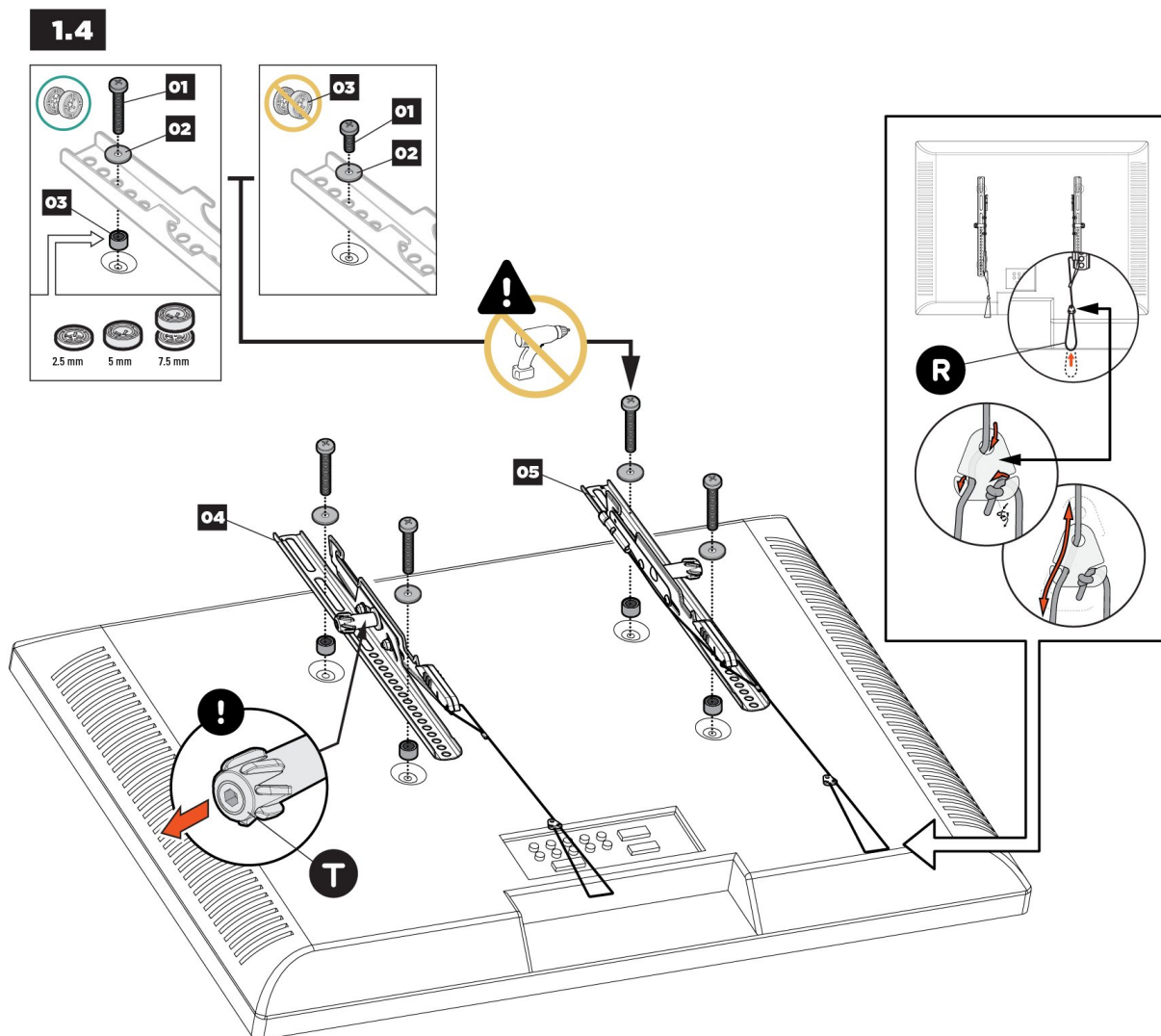
Use spacer(s) [**03**] for **Rounded TV** [TV
brackets [**04/05**] NOT sitting flat].

1.4 SECURE THE TV BRACKETS

⚠ CAUTION: Avoid potential personal injuries and property damage! **DO NOT** use power tools for this step. Tighten the screws [01] only enough to secure the TV bracket to the TV. **DO NOT** over tighten the screws.

❗ IMPORTANT: The tension knobs (T) orient to the outside.

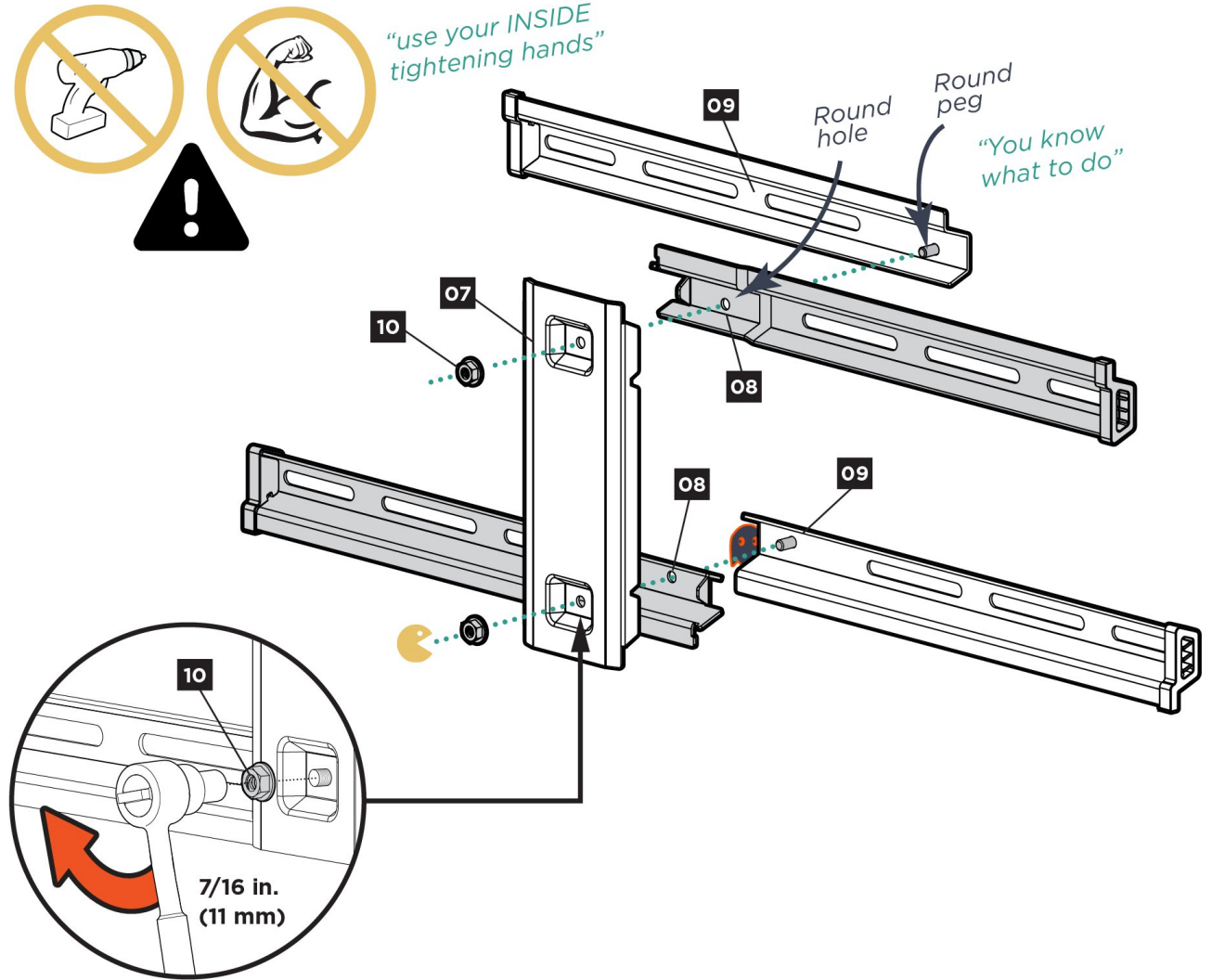
Adjust the release cords (R) to the bottom of your TV.



STEP 2

ASSEMBLE THE WALL PLATE

⚠ CAUTION: DO NOT over tighten. Tighten only until snug.



STEP 2.1 DETERMINE WALL TYPE

For Wood Stud,

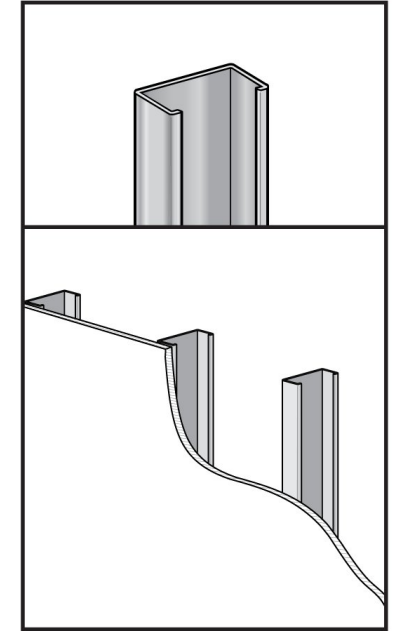
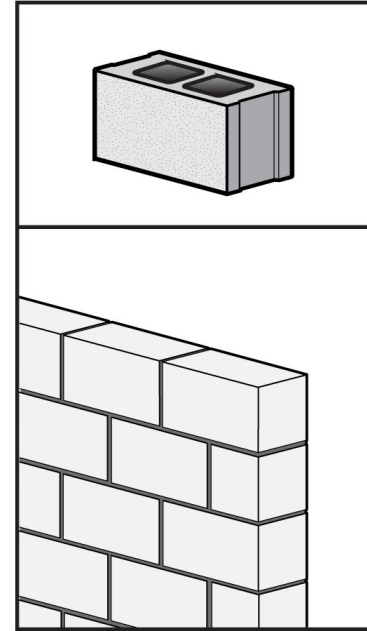
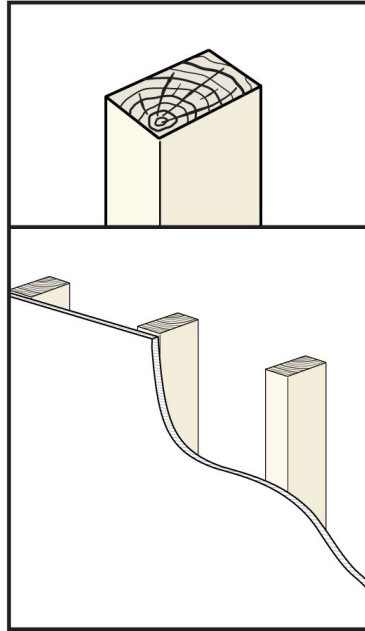
☛ [follow step 2.2 A on PAGE 14](#)

For Concrete,

☛ [follow step 2.2 B on PAGE 15](#)

For Steel Stud,

☛ [follow step 2.2 C on PAGE 16](#)



STEP 2A WOOD STUD

2.2A : Find a stud

2.3A : Align the template

⚠ CAUTION: Minimum horizontal space between fasteners: 16 in. (41 cm).

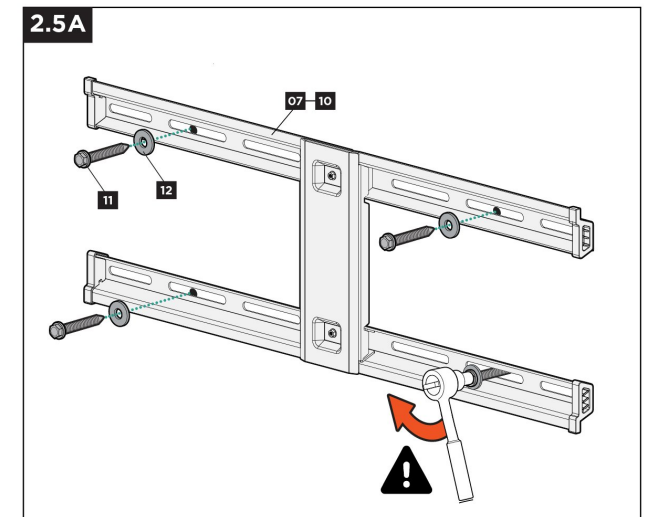
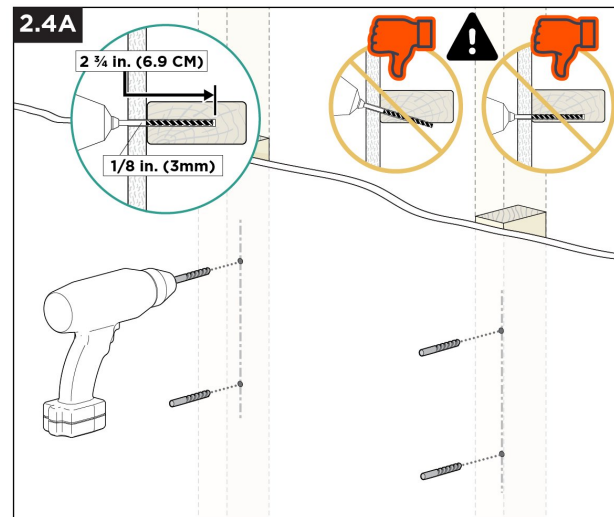
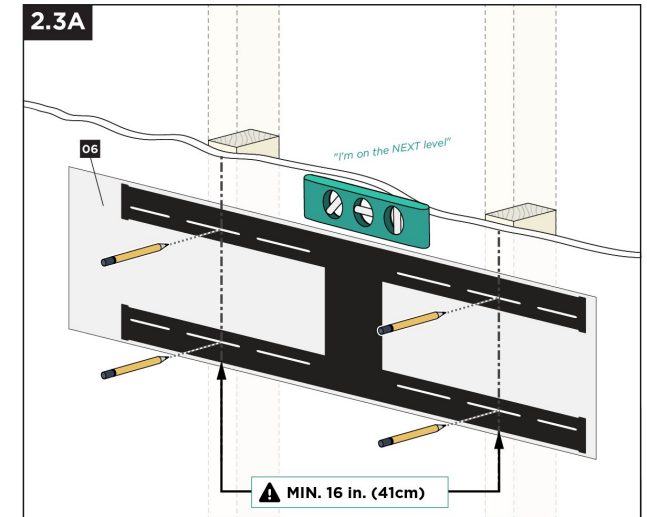
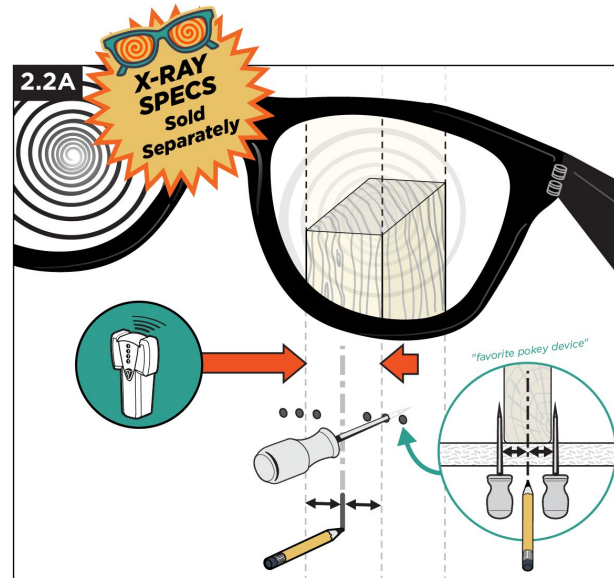
2.4A : Drill holes

⚠ CAUTION: Be sure to drill in the center of the stud.

2.5A : Secure wall mount

⚠ CAUTION: Avoid potential personal injury or property damage! Tighten the Lag Bolts [11] only until the washers [12] are pulled FIRMLY against the wall plate. **DO NOT** over-tighten the Lag Bolts [11].

➡ CONTINUE TO STEP 3 ON PAGE 17



STEP 2B CONCRETE

2.2B : Align the template.

⚠ CAUTION: Minimum horizontal space between fasteners: 16 in. (41 cm).

2.3B : Drill holes

❗ IMPORTANT: Never drill into the mortar between blocks.

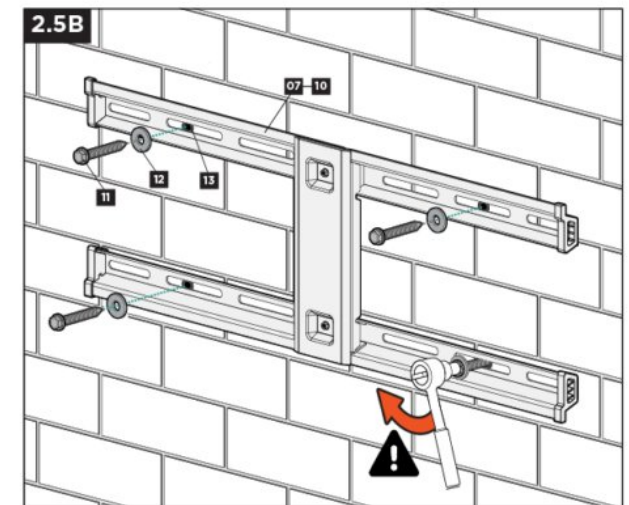
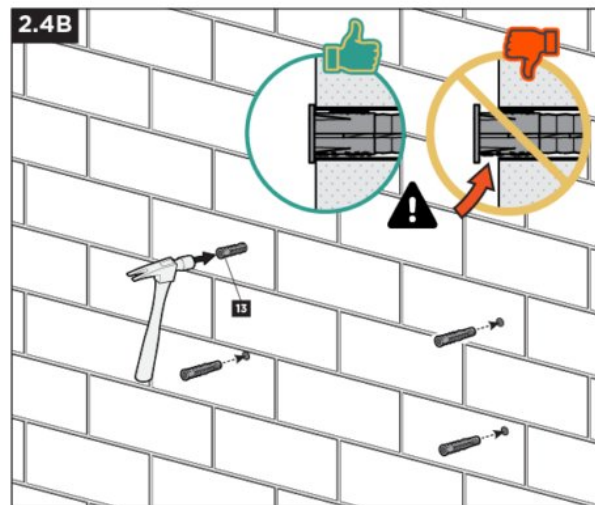
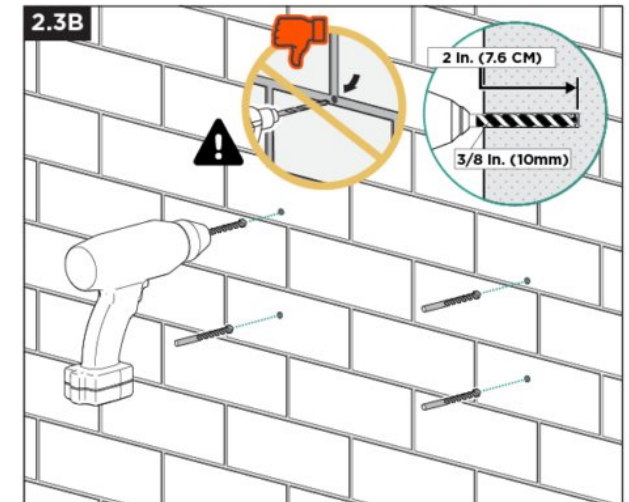
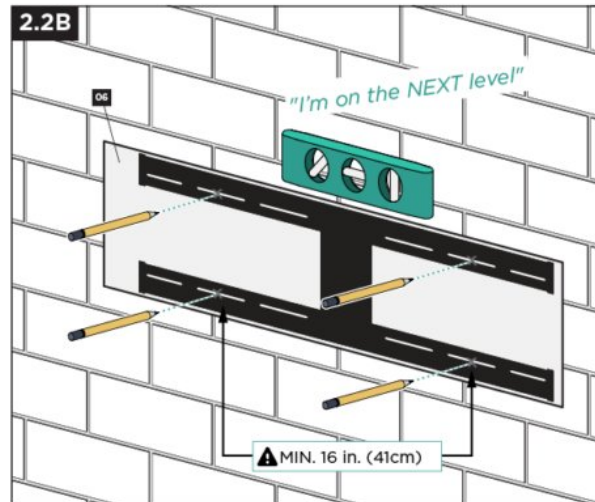
2.4B : Insert concrete anchors

⚠ CAUTION: Be sure the anchors [13] are seated flush with the concrete surface.

2.5B : Secure wall plate

⚠ CAUTION: Avoid potential personal injury or property damage! Tighten the Lag Bolts [11] only until the washers [12] are pulled FIRMLY against the wall plate. **DO NOT** over-tighten the Lag Bolts [11].

➡ [CONTINUE TO STEP 3 ON PAGE 17](#)



STEP 2C STEEL STUD

2.2C : Find a stud

2.3C : Align Template / Drill Holes

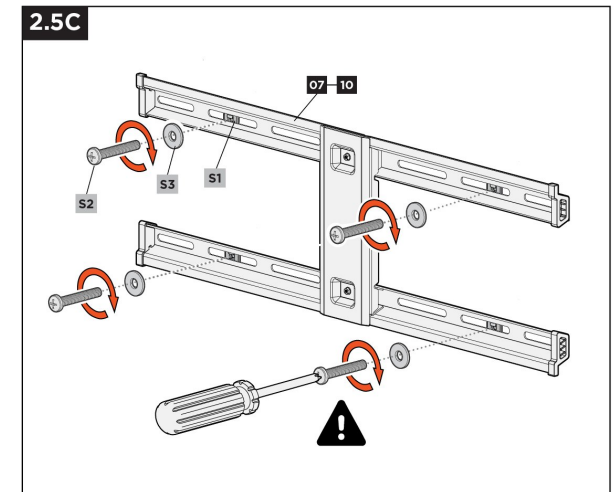
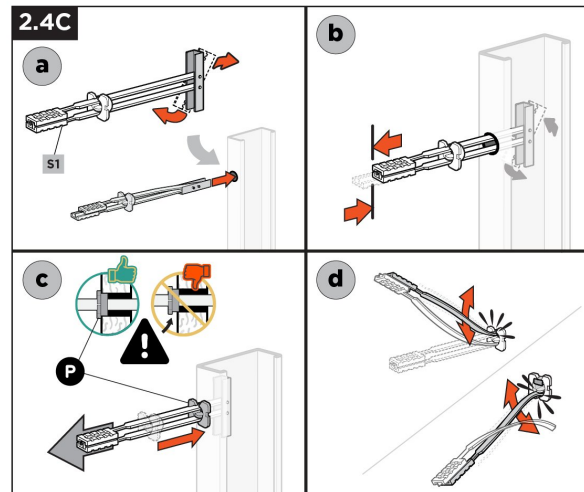
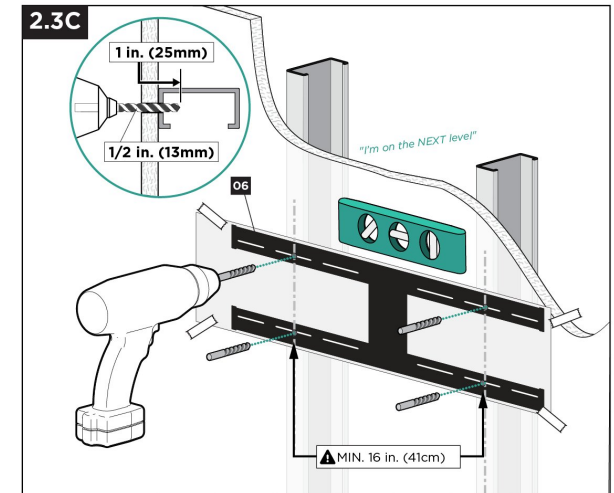
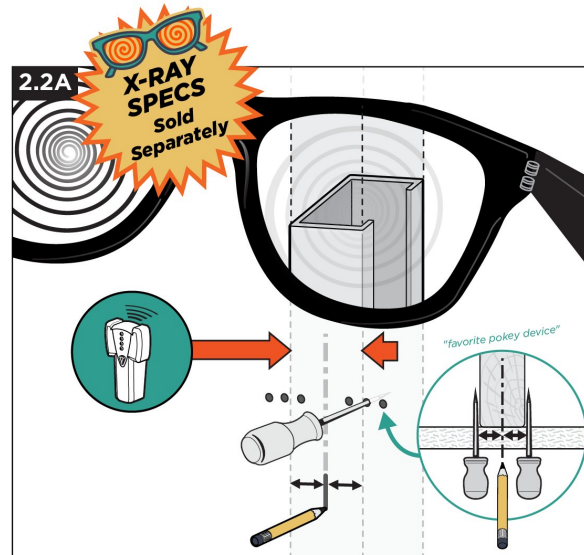
▲ CAUTION: Minimum horizontal space between fasteners: 16 in. (41 cm).

2.4C : Install Anchors

▲ CAUTION: Be sure the caps (**P**) of anchors [**S1**] are seated flush with the concrete surface.

2.5C : Secure Wall Plate

▲ CAUTION: Avoid potential personal injury or property damage! Tighten the screws [**S2**] only until the washers [**S3**] are pulled FIRMLY against the wall plate. **DO NOT** over-tighten the screws [**S2**].

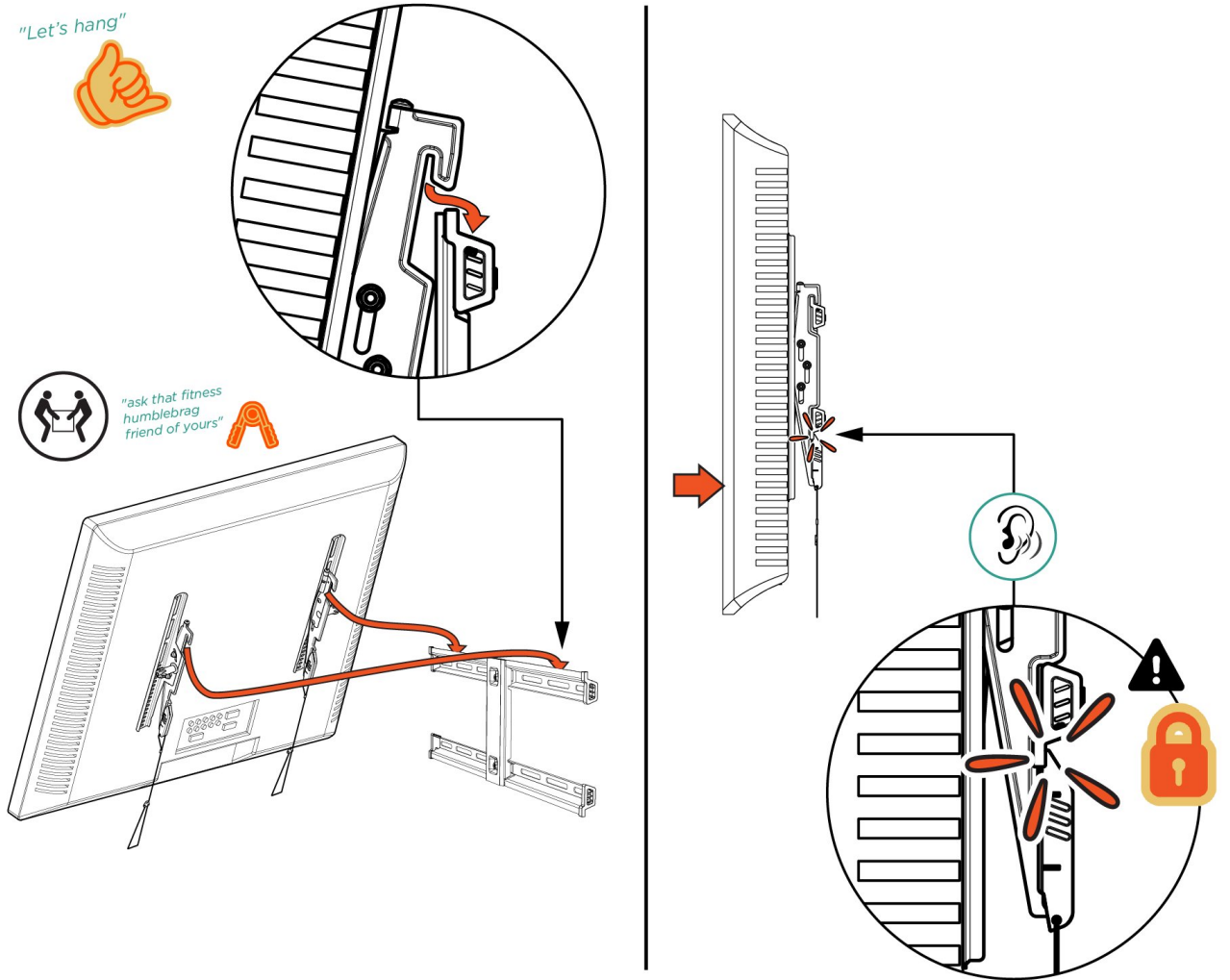


STEP 3

HANG YOUR TV

HEAVY! You may need assistance with this step.

⚠ CAUTION: Avoid potential personal injury or property damage! Make sure your TV brackets are in the locked position, so the TV is securely fastened to the wall plate.



CABLE MANAGEMENT

Plug in your power cord and any accessory cables.

Tip: When managing cables, tilt the TV up or down to gain better access to the back of the TV.

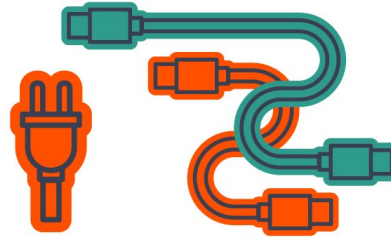
MAKE THOSE CABLES DISAPPEAR

TIP: In-wall cable kits are designed for easy DIY installation behind any wall-mounted TV. YOU CAN DO IT!

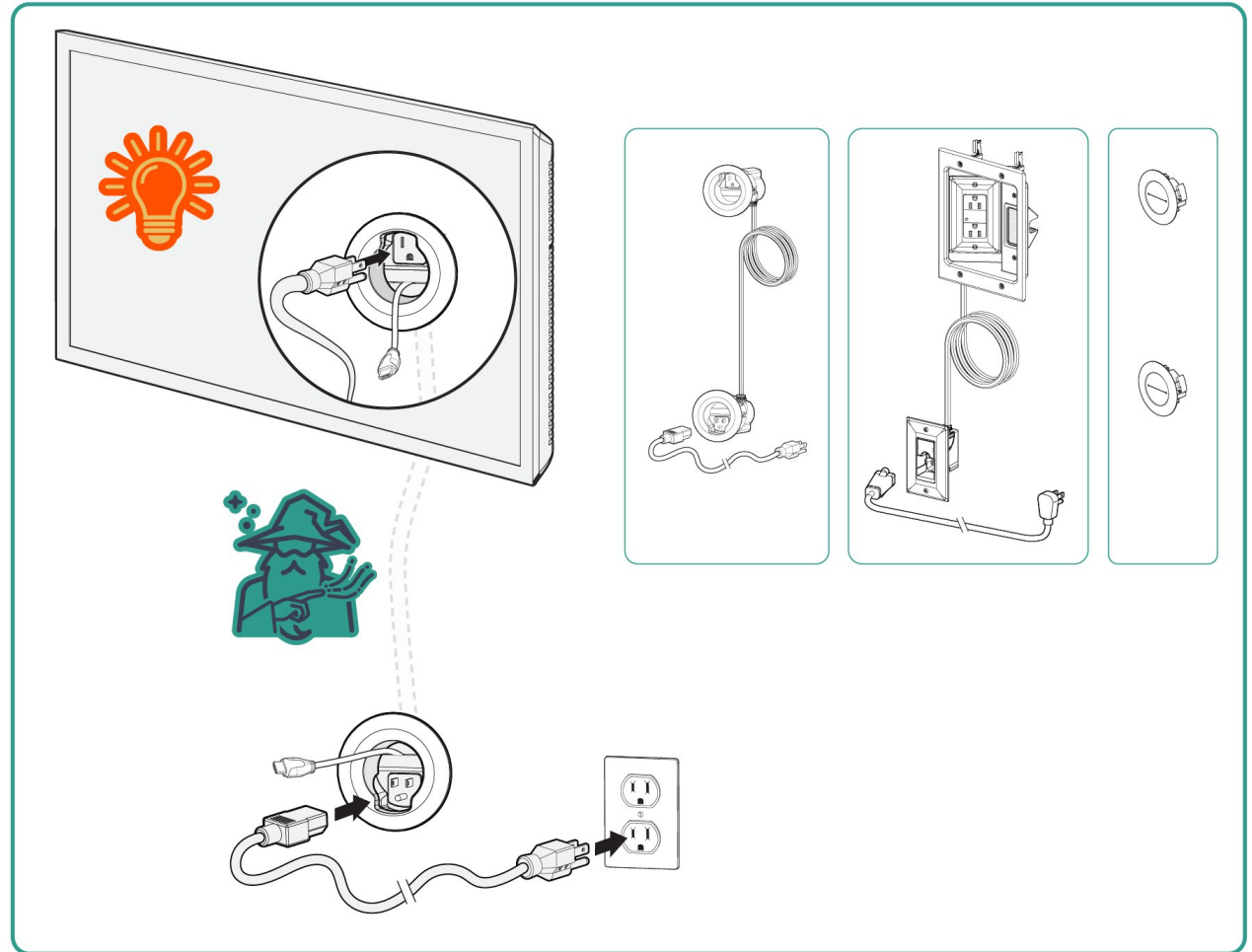
*** SOLD SEPARATELY ***

Check 'em out at,

<https://www.echogear.com/tv-cable-management/>



*"I have had it with these M*****F***** snakes on this ... oh wait, those are cables ... yea go ahead and plug those in."*



ADJUSTMENTS

Congratulations on completing installation of your mount.

The following are optional adjustments to further customize the position of your TV.

LEVEL

Turn screw (**S**) as shown to lower that side of the TV.

TILT

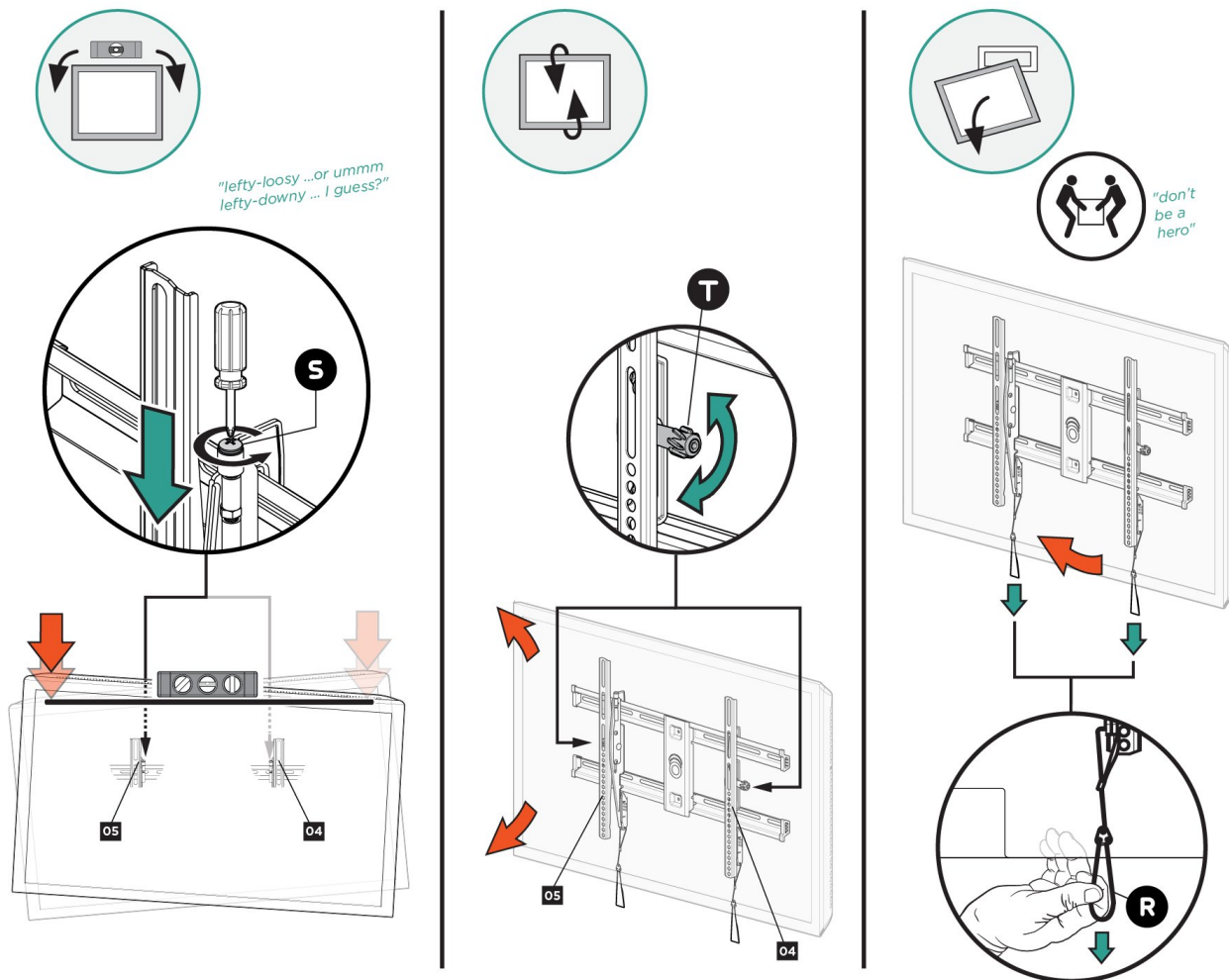
Your TV should adjust easily when moved, then stay in place. If your TV is too loose or too tight, adjust side tension knobs (**T**).

NOTE: Once your TV is in place, tighten the side tension knobs (**T**) to prevent unwanted movement.

REMOVE TV

Pull release cords (**R**) while pulling out the bottom of the TV, then Lift up and off the wall plate.

HEAVY! You may need assistance with this step.



Lost In The Sauce?

Contact the ECHOGEAR Team 7 days a week:

Legrand AV Inc.

10900 Red Circle Drive
Minnetonka, MN 55343 USA
1-855-428-2490
ECHOGEAR.com
helpmehelpyou@echogear.com

Legrand AV Netherlands B.V.

Franklinstraat 14
6003 DK Weert Netherlands
+44 (0) 800 0568188
ECHOGEAR.com
helpme@echogear.com

Authorized Representative for the UK

Starline Holding Technology Ltd.
Unit C Island Road
Reading RG2 ORP UK

Legrand AV Inc. and its affiliated corporations and subsidiaries (collectively, “Legrand”), intend to make this manual accurate and complete. However, Legrand makes no claim that the information contained herein covers all details, conditions, or variations. Nor does it provide for every possible contingency in connection with the installation or use of this product. The information contained in this document is subject to change without notice or obligation of any kind. Legrand makes no representation of warranty, expressed or implied, regarding the information contained

LET'S SEE THOSE DIY SKILLS!

Tag **@echogear** with your finished setup for a chance to win some merch.



Since teaming up with
The Global Improvement Group
in 2021, Echogear has planted over...

**ONE MILLION
TREES!**



We've earned our place among the ancient protectors of the forest.

herein. Legrand assumes no responsibility for accuracy, completeness or sufficiency of the information contained in this document.

©2026 Legrand AV Inc. All Rights Reserved.
ECHOGEAR is a Legrand AV Inc. brand and a registered trademark owned by Legrand.
6906-000032 <00>

Legrand AV Inc.

10900 Red Circle Drive, Minnetonka, MN 55343
USA.