

"That's more than 4"

### What's in the Box ... What's IN THE Booooooxxx

5-Port  
Gigabit  
Switch



AC  
Power  
Adapter



### Confused? Call the ECHOGEAR Pros:



1-855-428-2490



helpmehelpyou@ECHOGEAR.com

"Wanna show off your hard work?"

Share a picture of your completed project with #YourGearUpgraded.  
Who knows, it might not be as bad as you thought"

## 1 Position The Switch

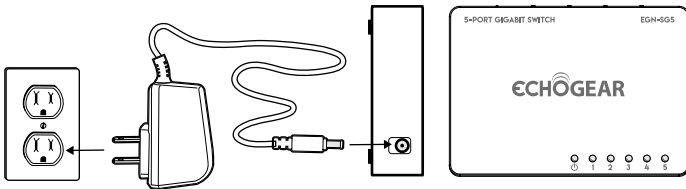
"find some shade"

- Install the switch in a stable/safe place to avoid any possible damage.
- Avoid placement in direct sunlight.
- Do not place heavy articles on the switch.
- Ensure there is adequate space for proper heat dissipation and ventilation around the switch.

## 2 Power Up

Connect the AC power adapter to an outlet, then to the switch.

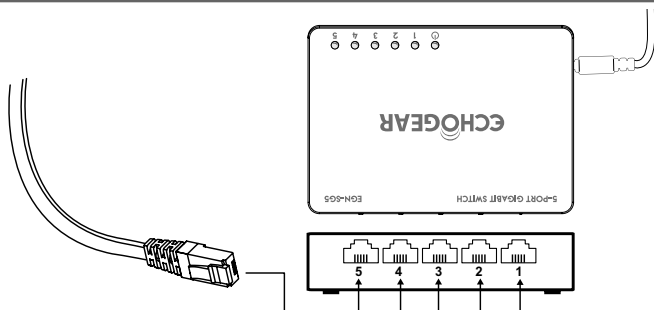
**CAUTION:** ONLY use the included power supply. If a different power supply is used, it could damage the EGN-SG5.



## 3 Connect Your Stuff

Use standard Ethernet cable to connect the EGN-SG5 to your LAN (Ethernet) devices.

**TIP:** We recommend at least Cat-5e unshielded twisted pair (CAT5e UTP) cabling. To ensure best performance and stable data transmission at 1000 Mbps, use Category-6 unshielded twisted pair (CAT6 UTP).

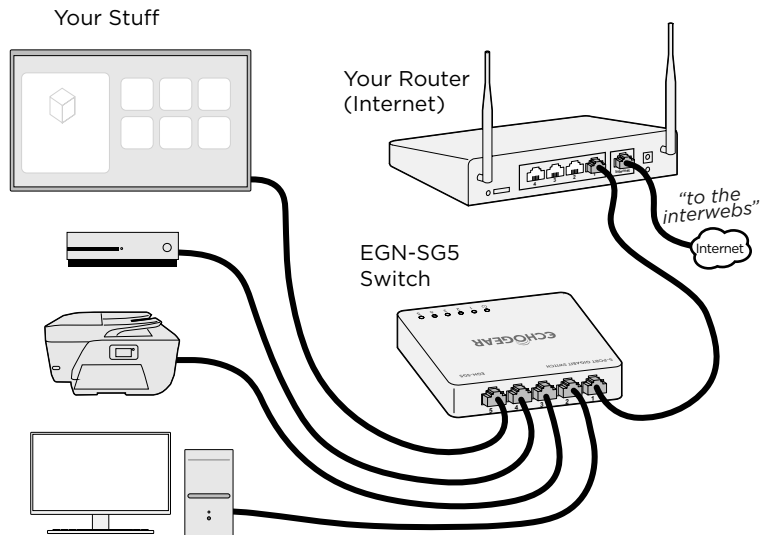


Connect your LAN devices to the switch, then connect the switch to your router's LAN port.



**TIP:** You can connect two switches together, to gain even more space. "buy more stuff"

When properly connected, the Link/Activity LED for that port, lights up GREEN. Refer to STEP 4 for definitions and troubleshooting.



## 4 LED Indicators

The LED indicators include (1) one Power indicator and (5) five Link/Activity indicators. These LED indicators show the operating status of the EGN-SG5 and each switch connection. See Table.

LED	Color	Status	Description
Power ⏻	Green	On	The switch is powered.
		Off	The switch is unpowered. Check the DC power supply to ensure proper connection to the outlet and switch.
Link/ Activity 1,2,3,4,5	Green	On	The switch is connected to an Ethernet device.
		Blinking	The switch is transmitting/receiving data.
		Off	Indicates the port is not connected to an Ethernet device.