

"That's more than 7"

### What's in the Box ... What's IN THE Booooooxxx

8-Port Gigabit Switch



AC Power Adapter



### Confused? Call the ECHOGEAR Pros:



1-855-428-2490



helpmehelpyou@ECHOGEAR.com

"Wanna show off your hard work?"

Share a picture of your completed project with #YourGearUpgraded. Who knows, it might not be as bad as you thought"

## 1 Position The Switch

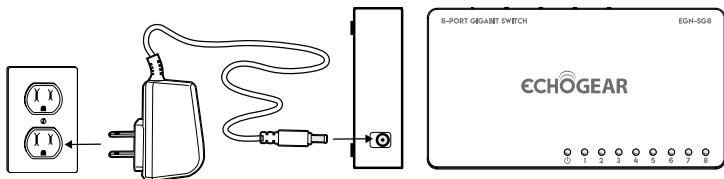
"find some shade"

- Install the switch in a stable/safe place to avoid any possible damage.
- Avoid placement in direct sunlight.
- Do not place heavy articles on the switch.
- Ensure there is adequate space for proper heat dissipation and ventilation around the switch.

## 2 Power Up

Connect the AC power adapter to an outlet, then to the switch.

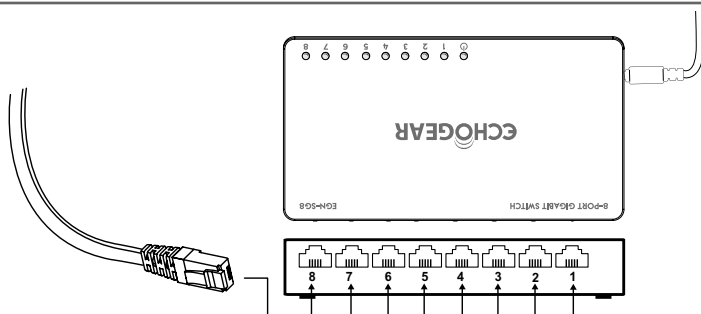
**CAUTION:** ONLY use the included power supply. If a different power supply is used, it could damage the EGN-SG8.



## 3 Connect Your Stuff

Use standard Ethernet cable to connect the EGN-SG8 to your LAN (Ethernet) devices.

**TIP:** We recommend at least Cat-5e unshielded twisted pair (CAT5e UTP) cabling. To ensure best performance and stable data transmission at 1000 Mbps, use Category-6 unshielded twisted pair (CAT6 UTP).

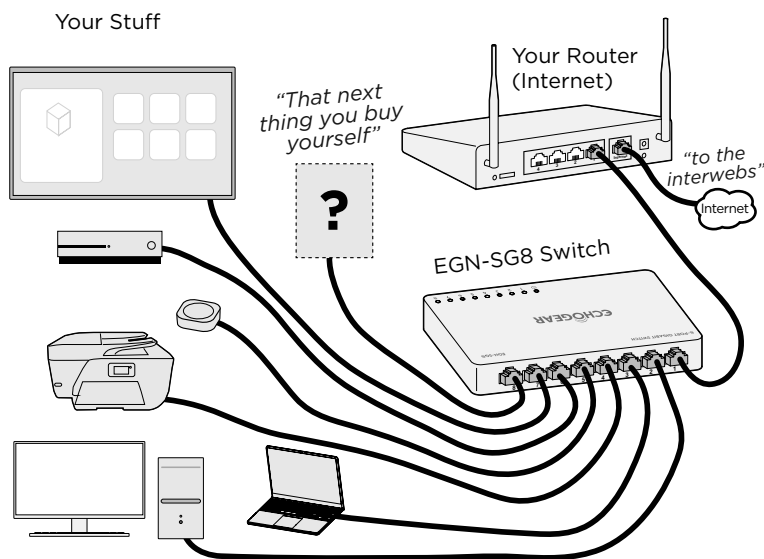


Connect your LAN devices to the switch, then connect the switch to your router's LAN port.



**TIP:** You can connect two switches together, to gain even more space.

When properly connected, the Link/Activity LED for that port, lights up GREEN. Refer to STEP 4 for definitions and troubleshooting.



## 4 LED Indicators

The LED indicators include (1) one Power indicator and (8) eight Link/Activity indicators. These LED indicators show the operating status of the EGN-SG8 and each switch connection. See Table.

LED	Color	Status	Description
Power	Green	On	The switch is powered.
		Off	The switch is unpowered. Check the DC power supply to ensure proper connection to the outlet and switch.
Link/Activity	Green	On	The switch is connected to an Ethernet device.
		Blinking	The switch is transmitting/receiving data.
1,2,3,4, 5,6,7,8		Off	Indicates the port is not connected to an Ethernet device.