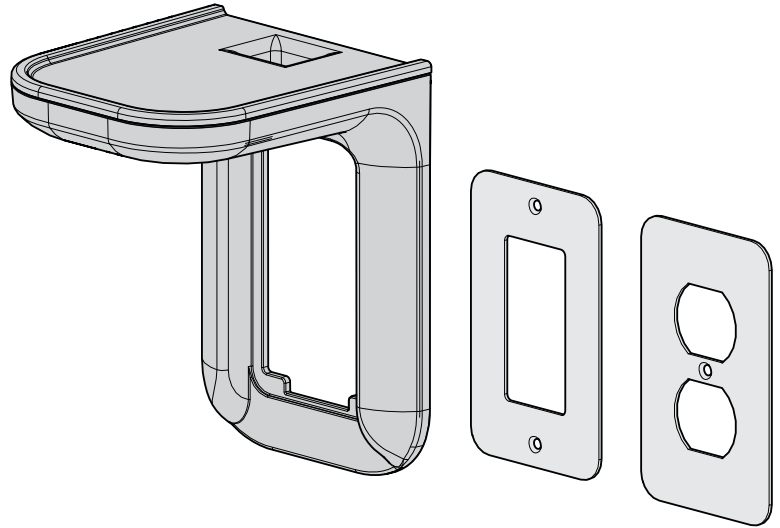




#YourGearUpgraded



OUTLET SHELF

Model **EGOS1**

INSTRUCTION MANUAL

IMPORTANT SAFETY INSTRUCTIONS. **READ** ENTIRE MANUAL PRIOR TO USE. **SAVE** THESE INSTRUCTIONS.

YEA, THE BORING STUFF ... *but read it, so you don't jack things up!*

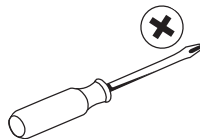
1 Weight Restrictions



DO NOT EXCEED **10 lbs. (4.5 kg)** for this shelf.

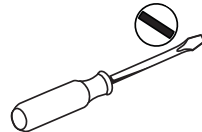
"You can think about it ... but doooooon't do it."

2 Grab Your Tools



Phillips Screwdriver

*Phil says,
"Git yer own!"*



Slotted Screwdriver

3 Ready to begin?

Check your speaker owner's manual to see if there are any special requirements for mounting your speaker.

Please read through these instructions completely to be sure you're comfortable with this easy install process.

This product is for household use only. Do not use this product for any purpose not explicitly specified by manufacturer.

Manufacturer is not responsible for damage or injury caused by incorrect assembly or use.

The wall must be capable of supporting five times the weight of the speaker and mount combined.

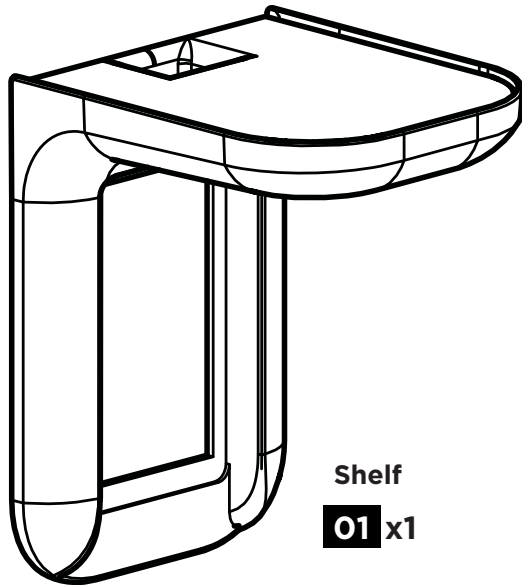
For use only with UL/CUL/CN Listed receptacles (round or rectangular faces) installed in UL/CUL/CN Listed single gang receptacle outlet boxes mounted in minimum 1/2" thick gypsum wall board.

If you do not understand these instructions or have doubts about the safety of the installation, assembly or use of this product, contact the ECHOGEAR Pros (see back page).

WHAT'S IN THE BOX

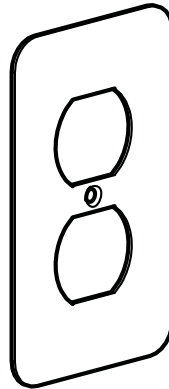
⚠ WARNING: DON'T FEED TO CHILDREN — This product contains small items that could be a choking hazard if swallowed. Before starting assembly, verify all parts are included and undamaged. If any parts are missing or damaged, DO NOT return the damaged item to your dealer; contact the ECHOGEAR Pros (see back page). Never use damaged parts!

STUFF FOR STEP 2

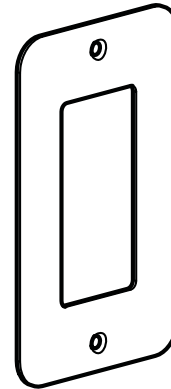


01 x1

Outlet Cover Plates

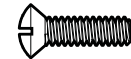


02 x1



03 x1

Outlet Cover Plate Screw



6-32 x 1/2 in.

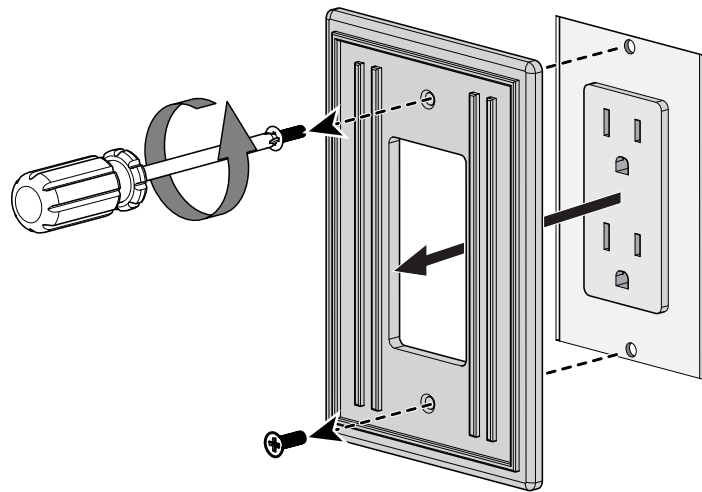
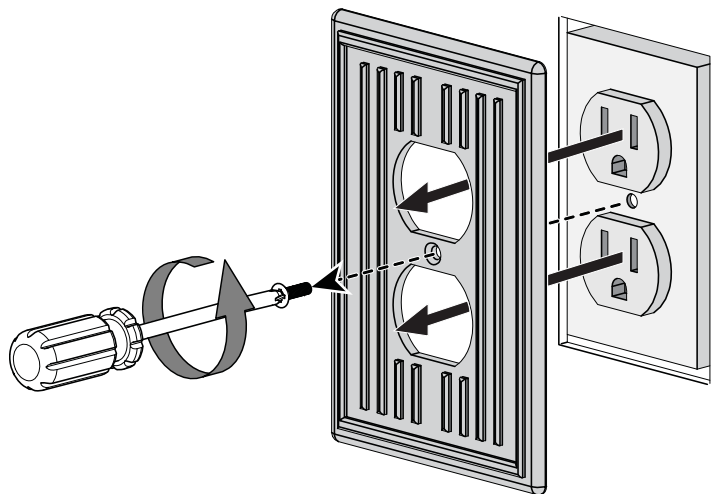
04 x2

STEP 1

PREP YOUR AREA

Remove your existing outlet cover plate.

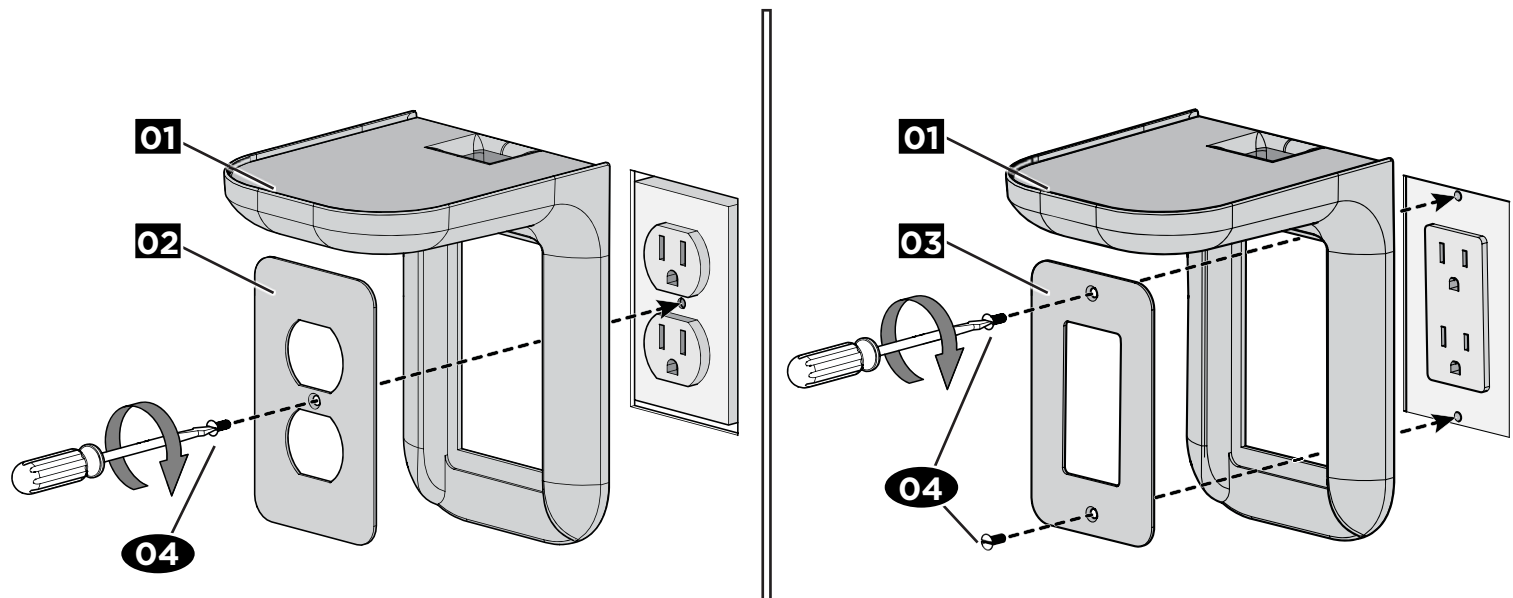
"Don't care WHAT your face looks like ... take it off"



STEP 2

INSTALL ALL THE SHELF

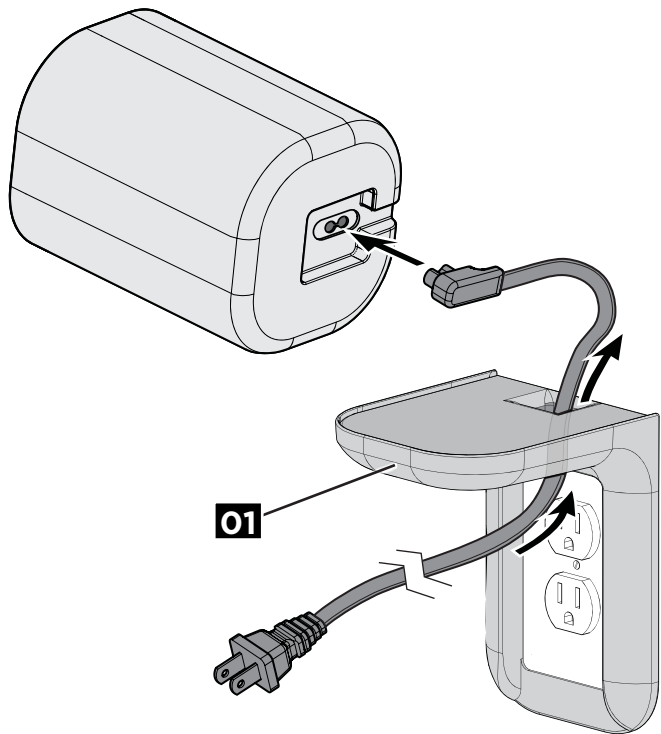
Position shelf **01** over your duplex outlet and secure it with the outlet cover plate **02** or **03** using outlet cover plate screw(s) **04**.



STEP 3

POWER THROUGH

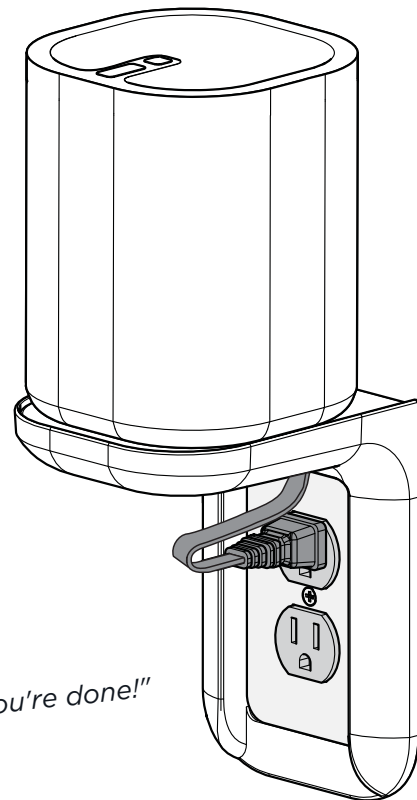
Slip your power cord through shelf **01** and connect to your device.



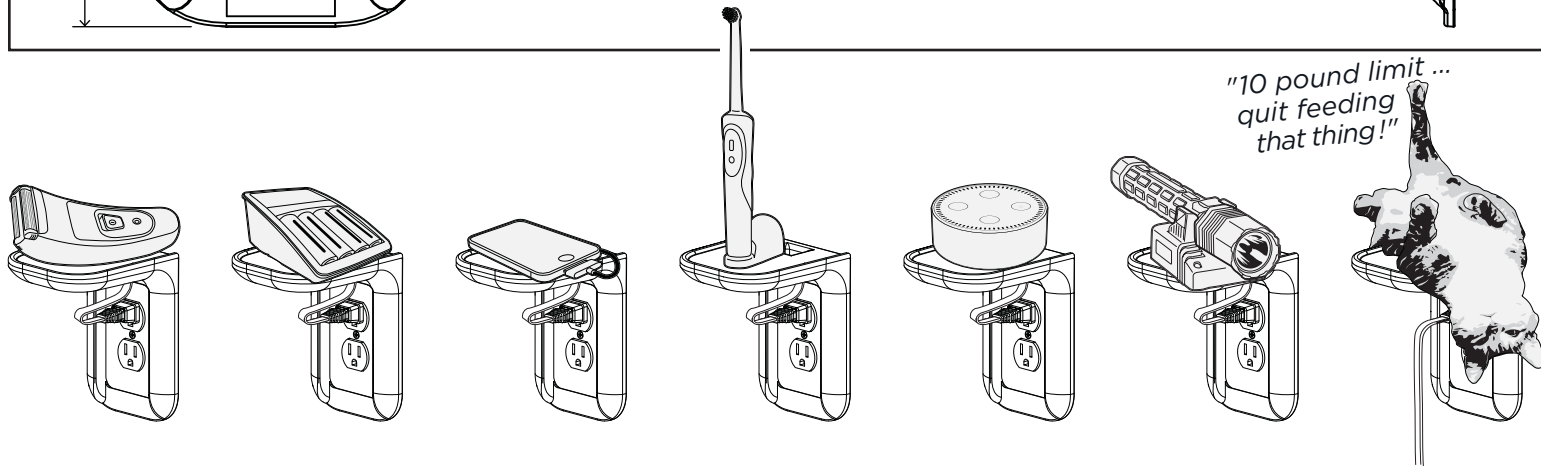
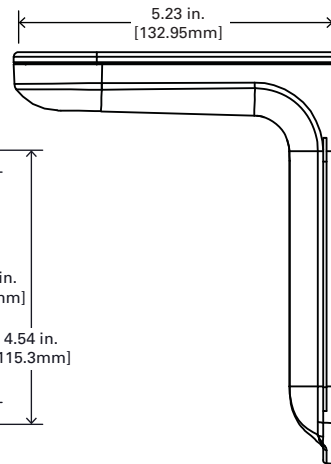
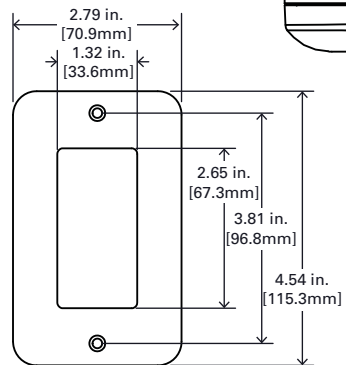
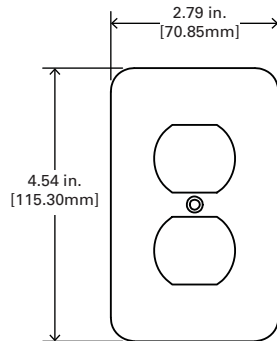
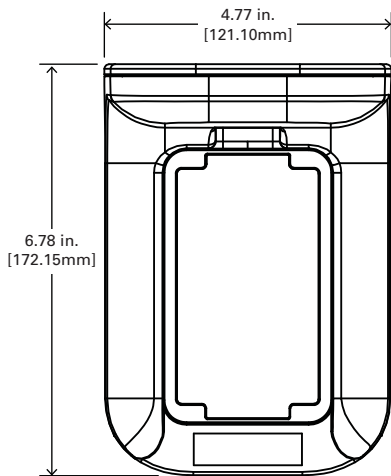
STEP 4

POWER UP

Rest your device on the shelf and plug the cord into the outlet.



DIMENSIONS





“Wanna show off your hard work?

Share a picture of your completed project with **#YourGearUpgraded**.

Who knows, it might not be as bad as you thought”

Confuzzled? Call the **ECHOGEAR Pros:**



1-855-428-2490



helpmehelpyou@ECHOGEAR.com

Milestone AV Technologies and its affiliated corporations and subsidiaries (collectively, “Milestone”), intend to make this manual accurate and complete. However, Milestone makes no claim that the information contained herein covers all details, conditions, or variations. Nor does it provide for every possible contingency in connection with the installation or use of this product. The information contained in this document is subject to change without notice or obligation of any kind. Milestone makes no representation of warranty, expressed or implied, regarding the information contained herein. Milestone assumes no responsibility for accuracy, completeness or sufficiency of the information contained in this document.

©2016 Milestone AV Technologies. All rights reserved. ECHOGEAR is a Milestone brand. ECHOGEAR and the ECHOGEAR logo are trademarks of Milestone.

Made in China.

Milestone Global Headquarters • 6436 City West Parkway • Eden Prairie, MN 55344 USA

6901-602079 00