

EGSF1 INSTRUCTION MANUAL

We'll Make It Stress-Free

If you have any questions along the way, contact us at www.echogear.com. We're ready to help!



Before getting started, let's make sure this mount is perfect for you!

1 Does your TV (including accessories) weigh **MORE** than 25 lbs. (11.3 kg)?

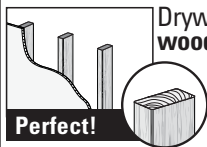


No? Perfect – you may continue.
Yes? This mount is NOT compatible. Visit echogear.com to find a compatible mount.



CAUTION: DO NOT exceed the maximum weight indicated. This mounting system is intended for use only with the maximum weights indicated. Use with products heavier than the maximum weights indicated may result in collapse of the mount and its accessories, causing possible injury.

2 What is your wall made of?



Drywall with wood studs?



Solid concrete or concrete block?



Unsure?

Contact customer service: www.echogear.com

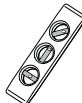
3 Do you have all the tools needed?



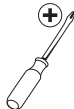
Tape Measure



Pencil



Level



Screw driver



Electric Drill



Socket Wrench
1/2 in. (13 mm)

Wood Stud Install



Stud Finder



Awl



Wood Drill Bit
7/32 in. (5.5 mm)

Concrete Install



Masonry Drill Bit
3/8 in. (10 mm)



Hammer

4 Ready to begin?

Please read through these instructions completely to be sure you're comfortable with this easy install process. Also check your TV owner's manual to see if there are any special requirements for mounting your TV.

If you do not understand these instructions or have doubts about the safety of the installation, assembly or use of this product, contact Customer Service at www.echogear.com.

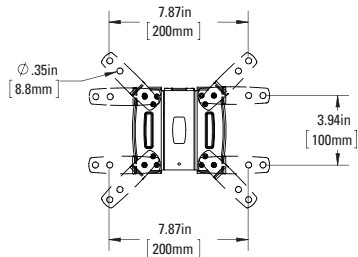


CAUTION: Avoid potential personal injury or property damage!

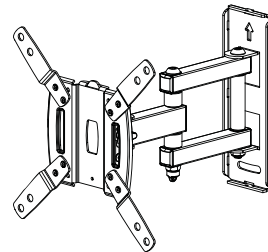
- This product is designed for use in wood stud, solid concrete, and concrete block walls - DO NOT install into drywall alone
- The wall must be capable of supporting five times the weight of the TV and mount combined
- Do not use this product for any purpose not explicitly specified by manufacturer
- Manufacturer is not responsible for damage or injury caused by incorrect assembly or use

Dimensions

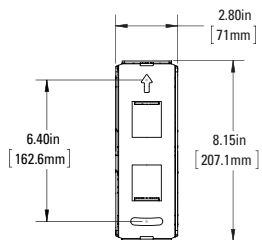
TV INTERFACE



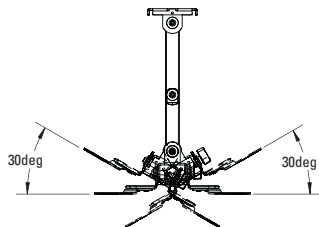
3-D



WALL PLATE

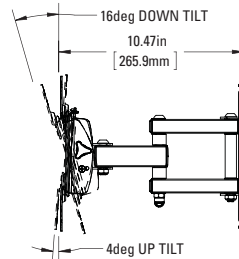


TOP VIEW - EXTENDED

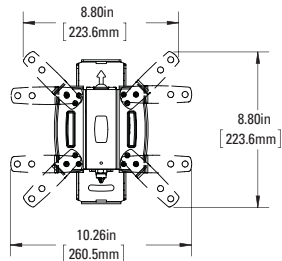


30° SWIVEL LEFT AND RIGHT WITH AN APPROXIMATE 32" TV

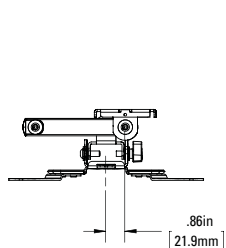
SIDE VIEW - EXTENDED



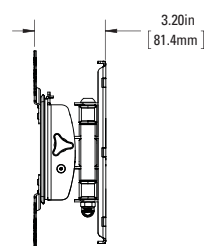
FULLY ASSEMBLED MOUNT



TOP VIEW - RETRACTED



SIDE VIEW - RETRACTED



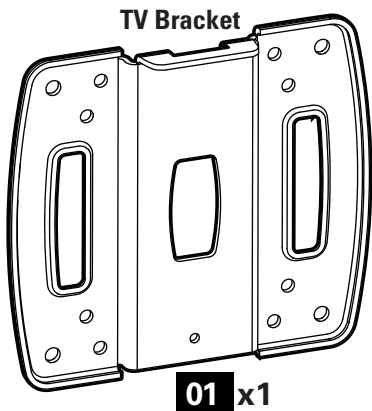
STEP 1 Attach TV Bracket to TV

STEP 1 Parts and Hardware

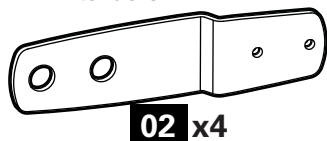
⚠ WARNING: This product contains small items that could be a choking hazard if swallowed.

Before starting assembly, verify all parts are included and undamaged. If any parts are missing or damaged, do not return the damaged item to your dealer; contact Customer Service. Never use damaged parts!

NOTE: Not all hardware included will be used.



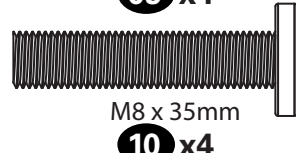
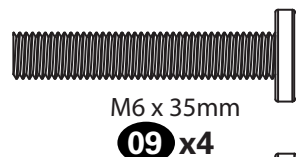
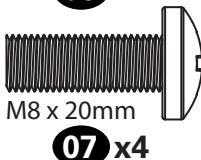
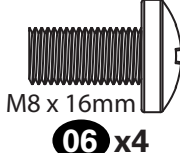
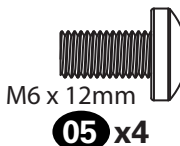
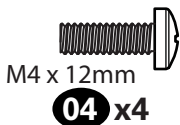
TV Bracket Extenders



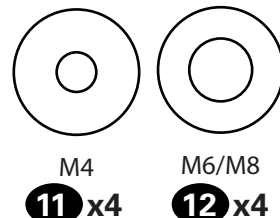
TV Bracket Screws
(TV Bracket extenders)



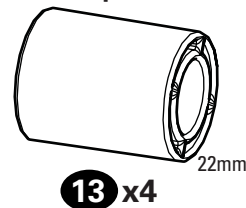
TV Screws



Washers

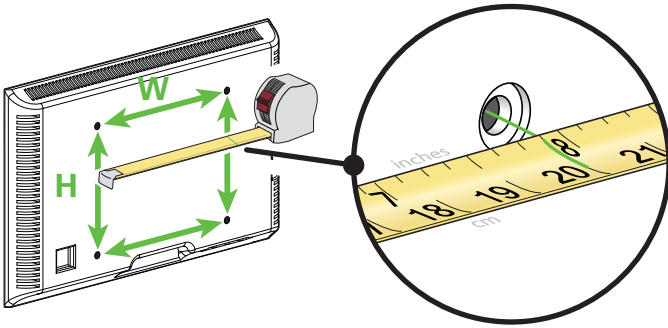


Spacers



1.1 Measure TV hole pattern

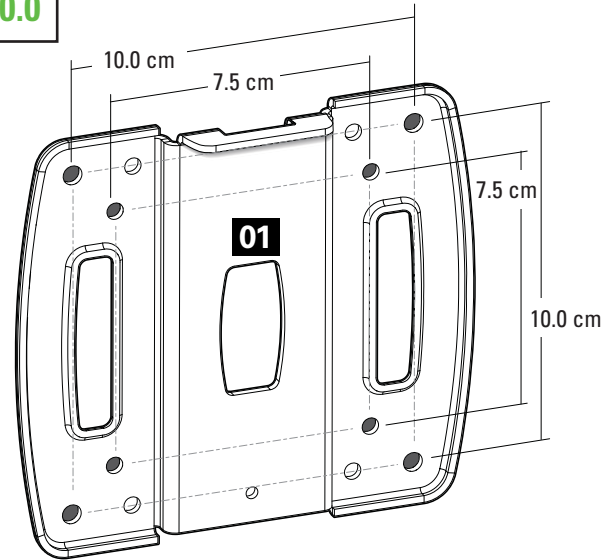
100 mm = 10 cm \approx 4 in.
130 mm = 13 cm \approx 5 1/8 in.
200 mm = 20 cm \approx 7 7/8 in.
300 mm = 30 cm \approx 11 3/4 in.
340 mm = 34 cm \approx 13 3/4 in.
400 mm = 40 cm \approx 15 3/4 in.

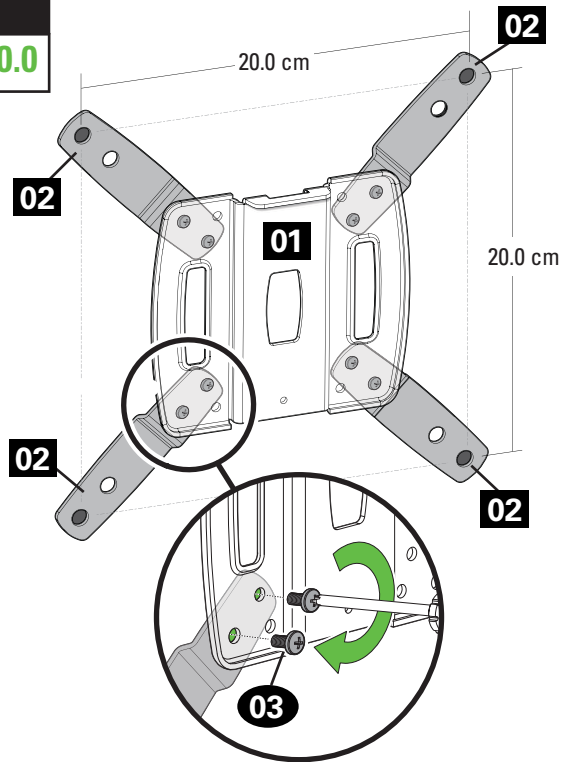
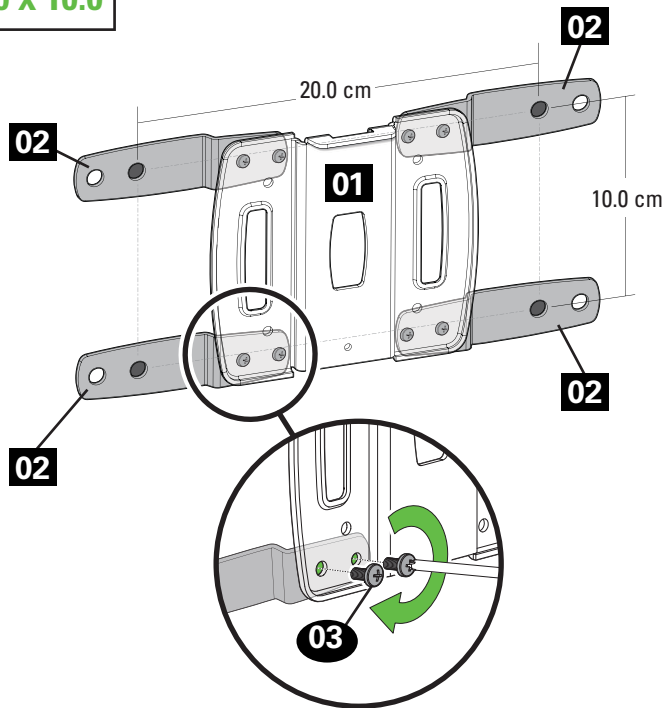


1.2 Assemble Your TV Bracket

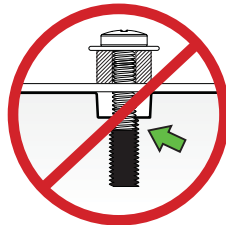
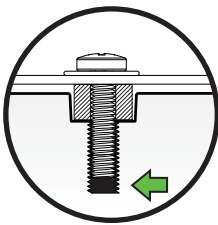
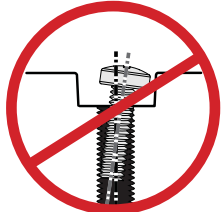
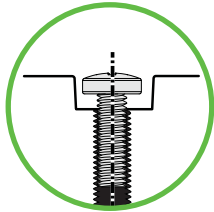
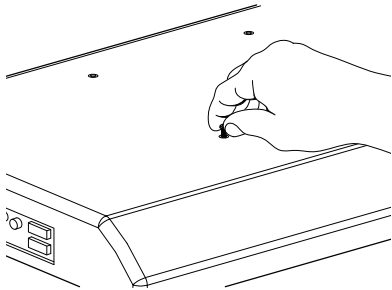
A

7.5 x 7.5
10.0 x 10.0

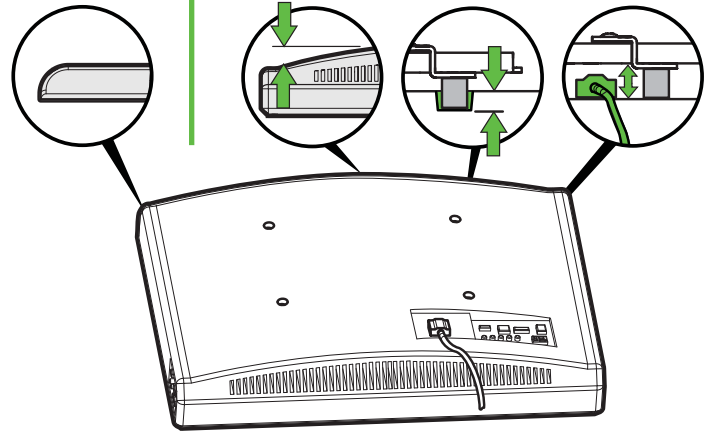
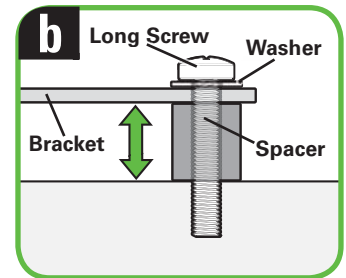
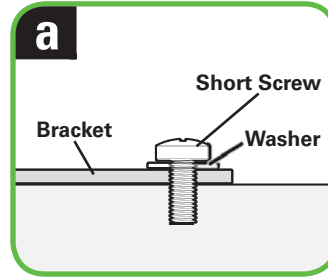


B**20.0 x 20.0****C****20.0 x 10.0**

1.3 Select TV Screws



1.4 Spacers?

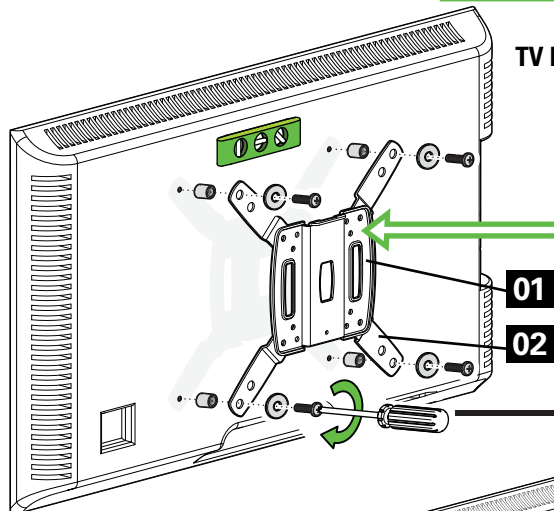


1.5 Attach TV Bracket

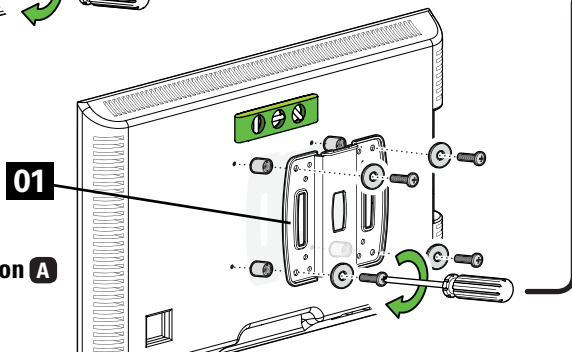
⚠ CAUTION: Ensure TV bracket is securely fastened before moving on to the next step.

TV Bracket Configurations **B** and **C**

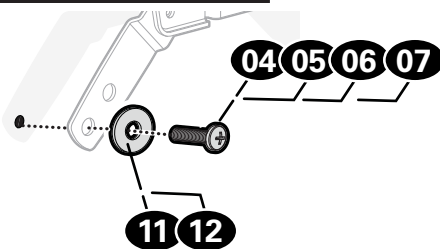
NOTE: For 20.0 x 20.0 cm or 20.0 x 10.0 cm hole patterns, you may need to loosen the screws **03** to align the bracket extenders **02**. After bracket extenders **02** are secured to the back of your TV, re-tighten screws **03**.



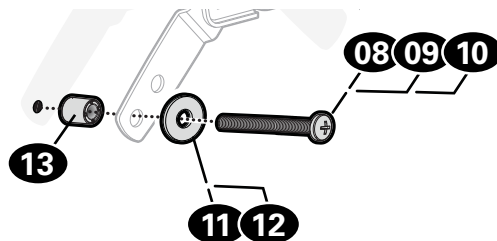
TV Bracket Configuration **A**



Flat Back



Round Back / Extra Space



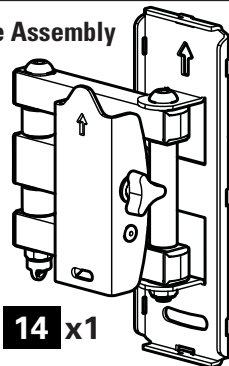
STEP 2 Attach Wall Plate to Wall

 For wood stud installations, follow STEP 2A on PAGE 10

 For concrete installations, follow STEP 2B on PAGE 13

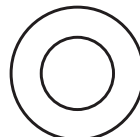
STEP 2 Parts and Hardware

Wall Plate Assembly



14 x1

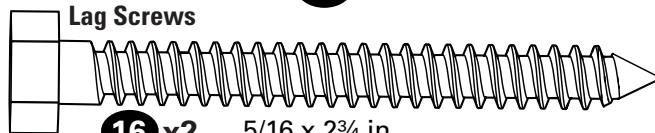
Lag Screw Washers



5/16 in.

15 x2

Lag Screws

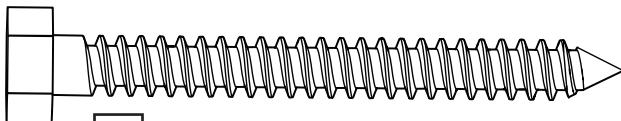


16 x2

5/16 x 2³/₄ in.

Concrete Installation Kit CMK1 (NOT INCLUDED)

Contact Customer Service at www.echogear.com to have these additional pieces shipped directly to you.



x4

5/16 x 2³/₄ in.



x4

.695 x .350 x .075 in.

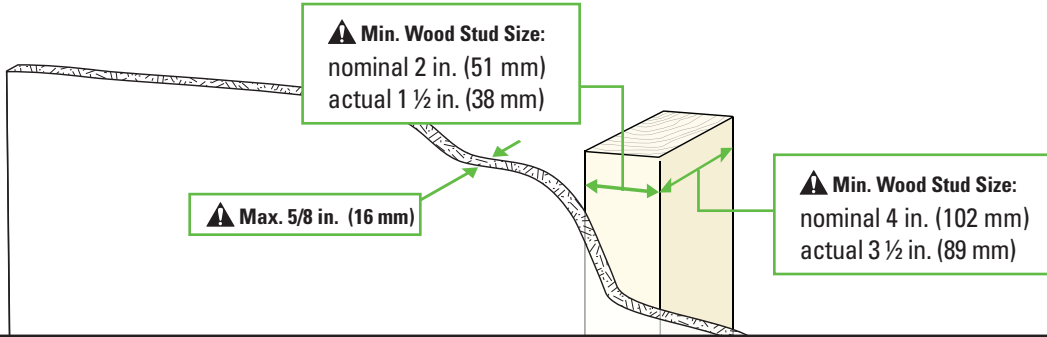


x4

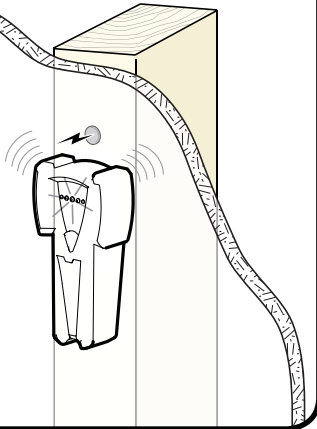
Fischer UX 10 x 60R Anchor

STEP 2A

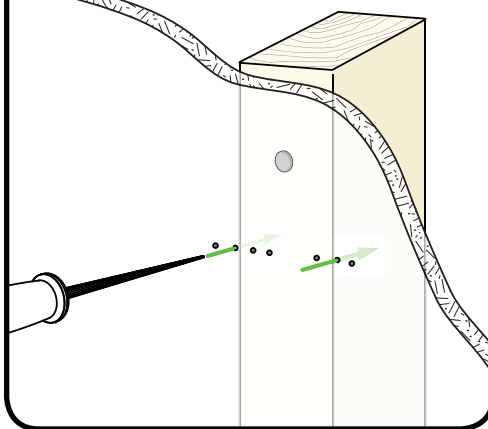
Wood Stud Option



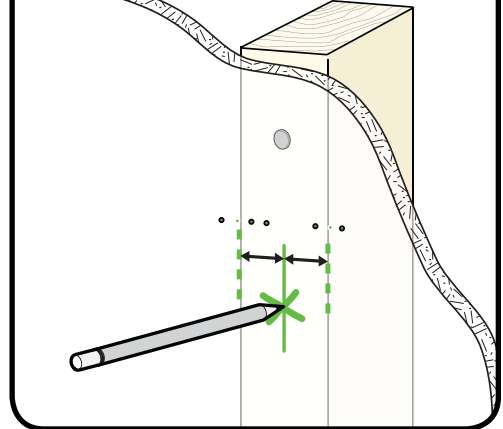
1

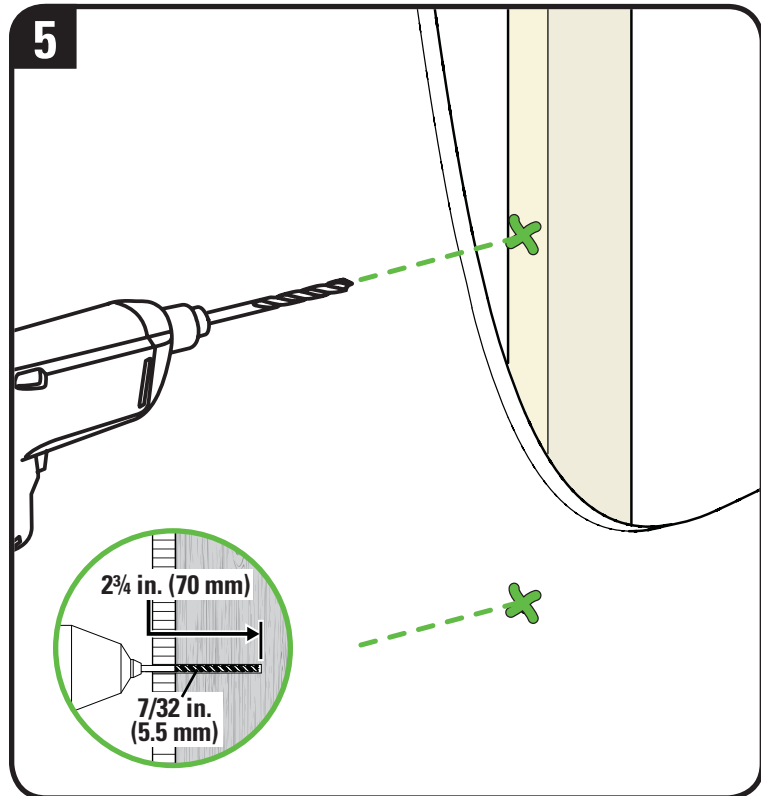
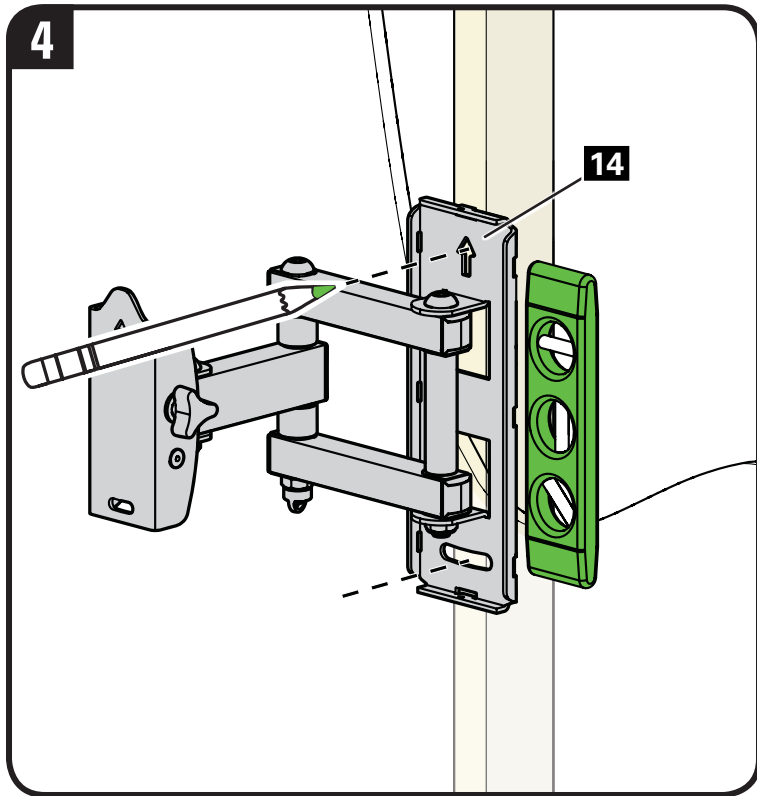


2

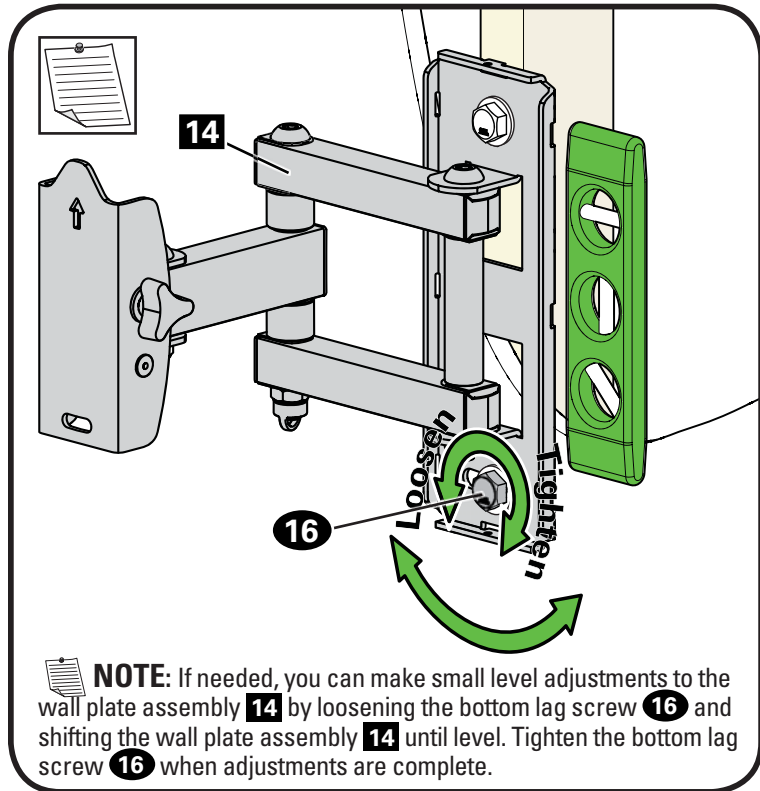
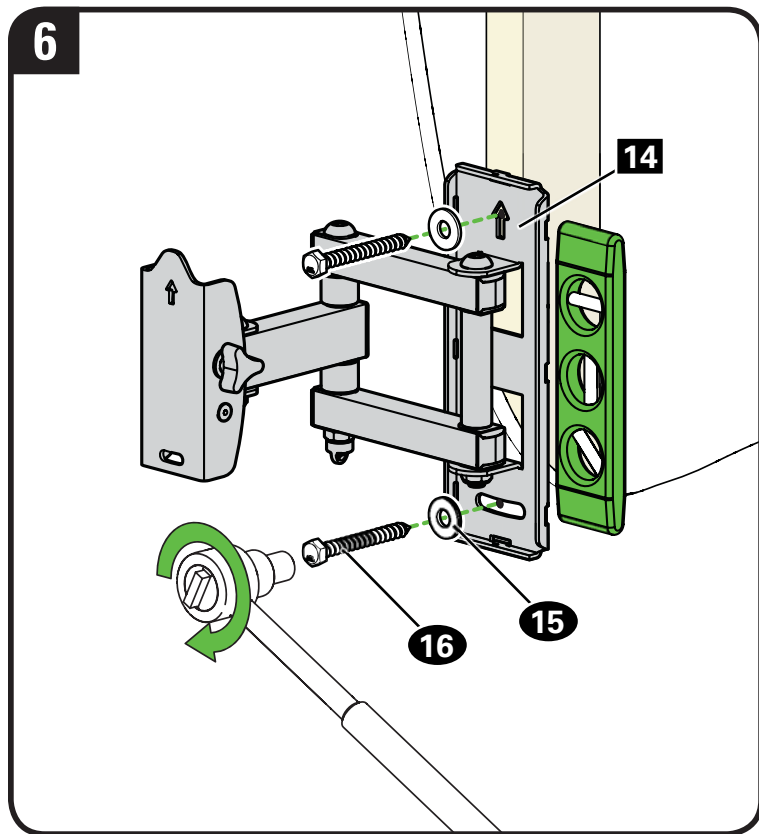


3





⚠ CAUTION: Avoid potential personal injury or property damage! All lag screws **16** MUST BE firmly tightened to prevent unwanted movement of the wall plate assembly. Ensure the wall plate assembly is securely fastened to the wall before continuing on to the next step.



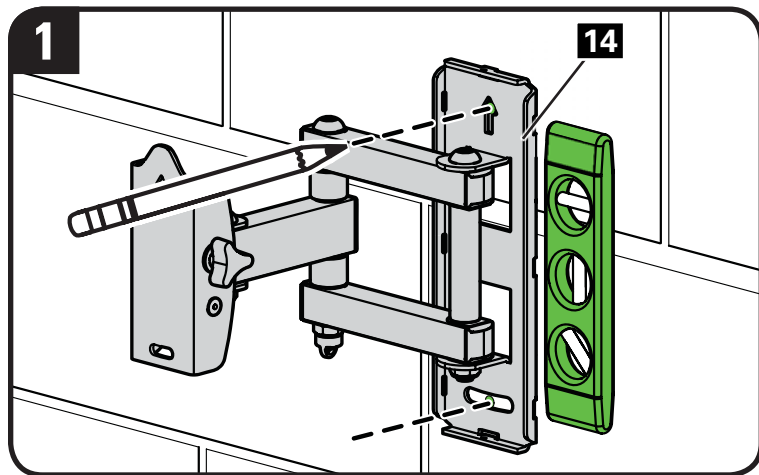
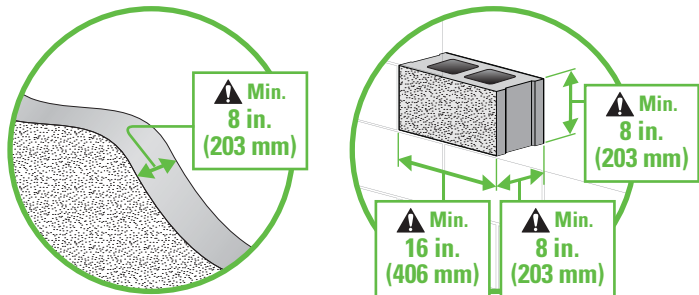
Go to STEP 3 on PAGE 15

STEP 2B

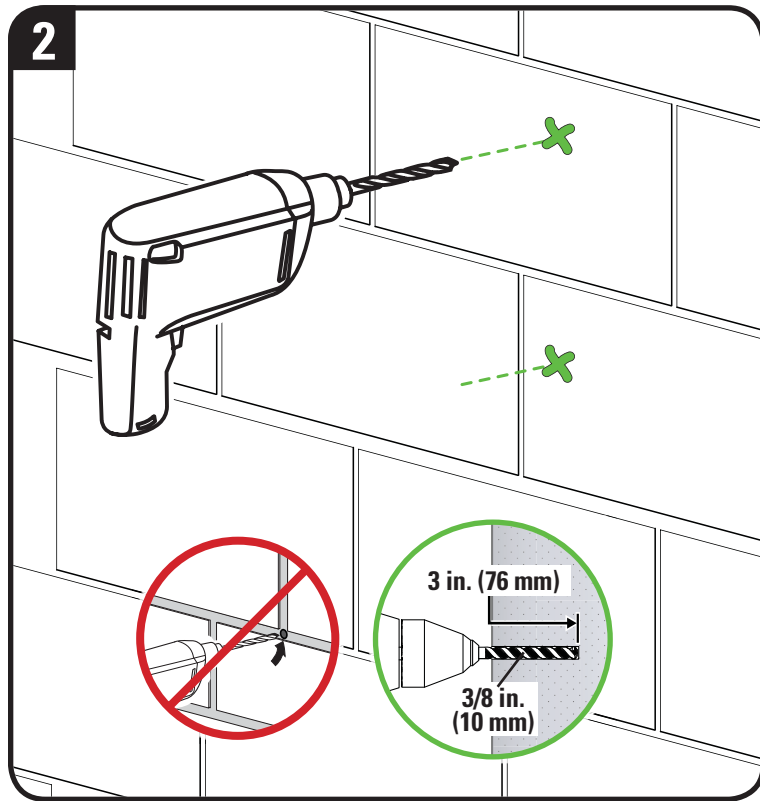
Solid Concrete or Concrete Block Option

⚠ CAUTION: Avoid potential personal injuries and property damage! Mount the wall plate directly onto the concrete surface.

⚠ CAUTION: Never drill into the mortar between blocks.

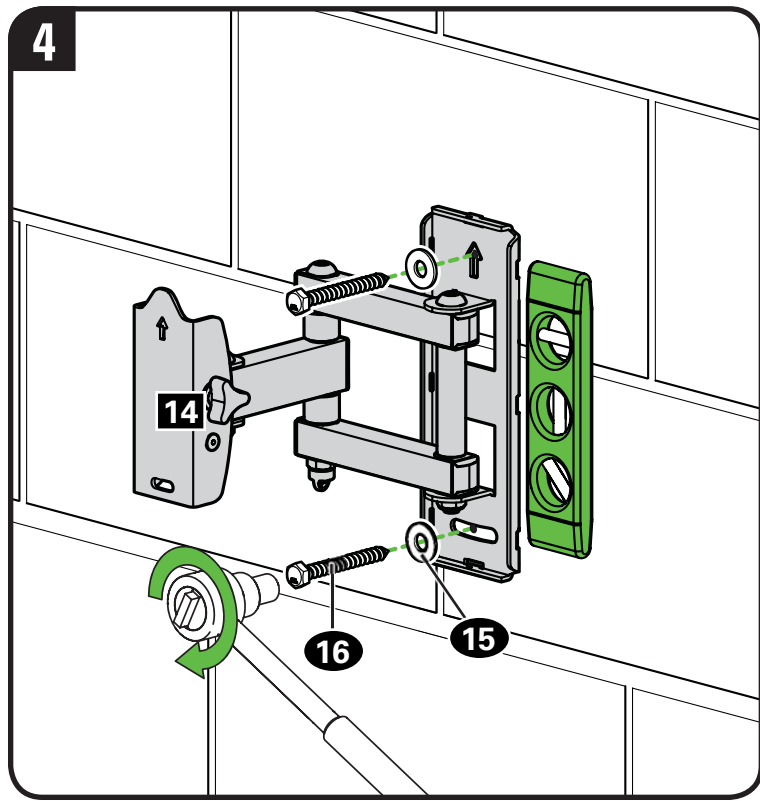
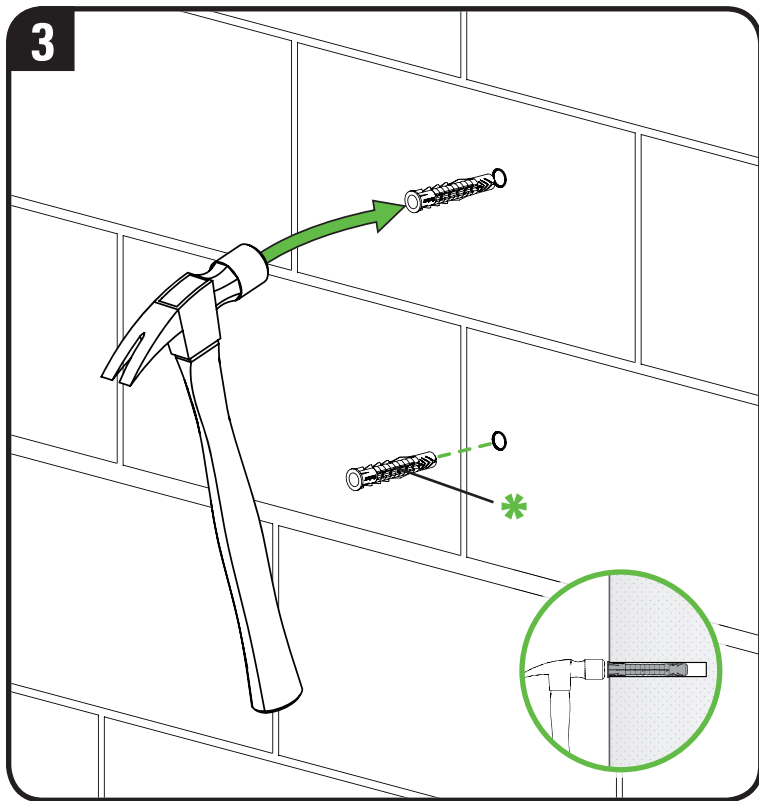


Concrete Installation Kit CMK1 is not included (see page 9)
Contact Customer Service at www.echogear.com to have the additional hardware shipped directly to you.



⚠ CAUTION: Avoid potential personal injury or property damage! All lag screws **16** MUST BE firmly tightened to prevent unwanted movement of the wall plate assembly. Ensure the wall plate assembly is securely fastened to the wall before continuing on to the next step.

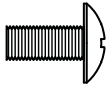
*Contact Customer Service at www.echogear.com to have the Concrete Installation Kit shipped directly to you.



STEP 3 Hang TV onto Wall Plate

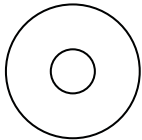
STEP 3 Parts and Hardware

Securement Screw



17 x1

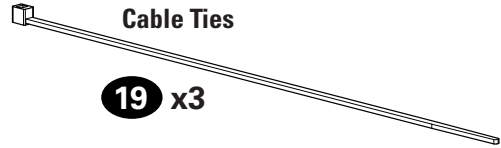
Securement Washer



18 x1

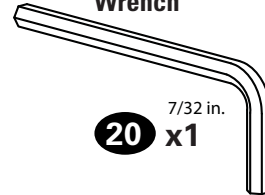
Additional Parts and Hardware

Cable Ties



19 x3

Tilt Tension Adjustment
Wrench

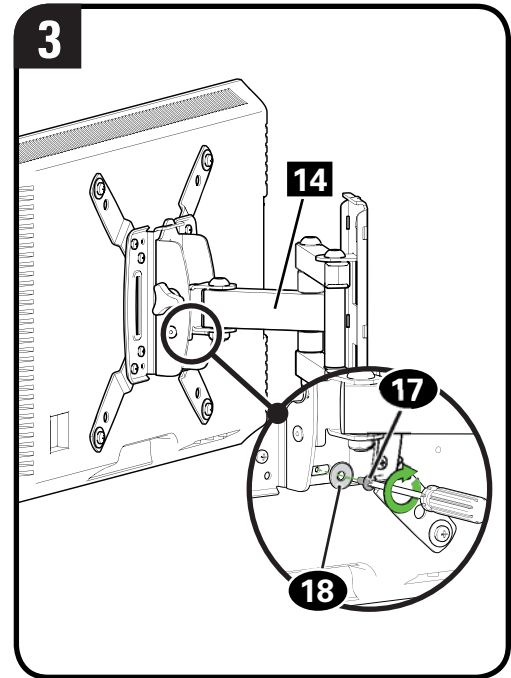
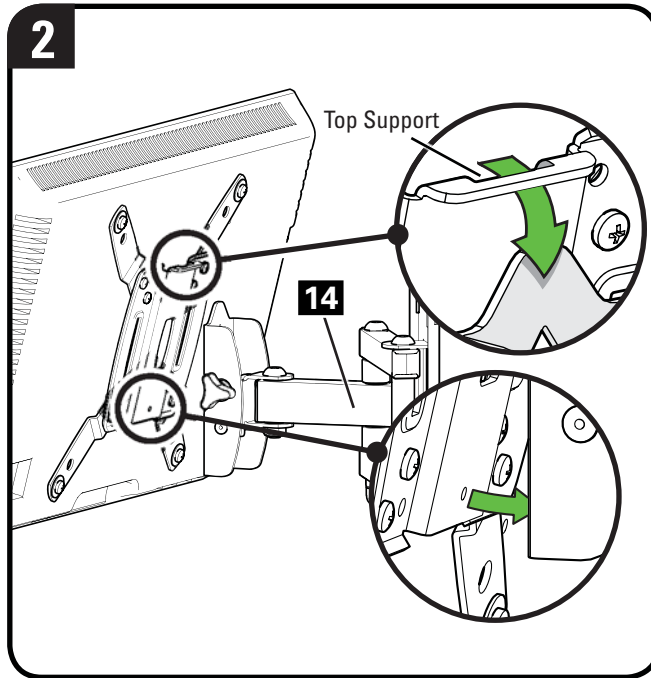
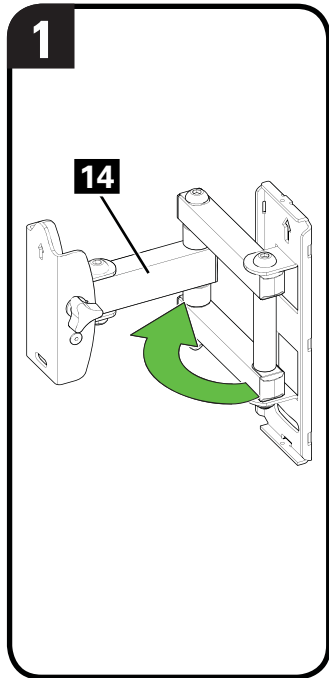


20 ^{7/32 in.} x1



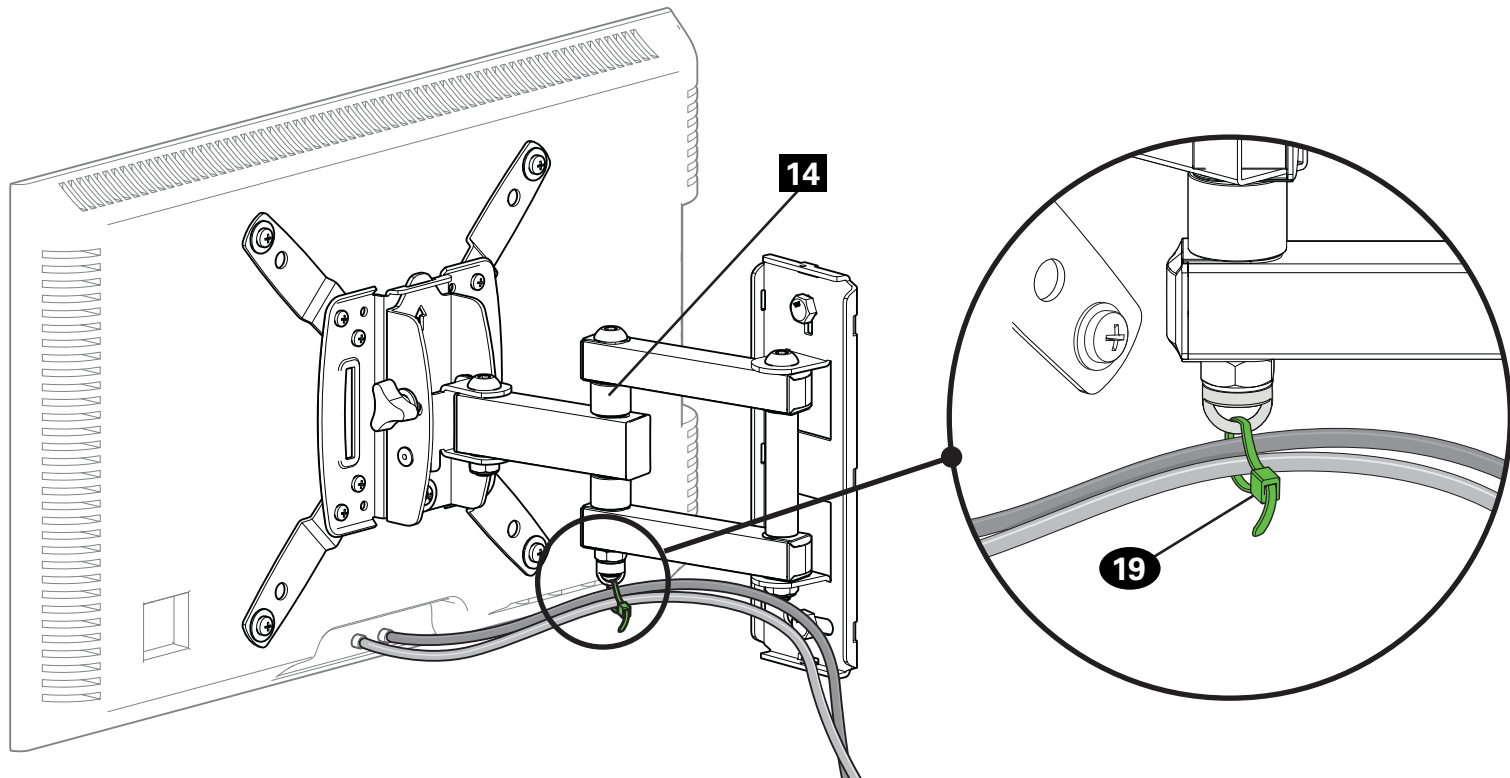
HEAVY! You may need assistance with this step.

⚠ CAUTION: Avoid potential personal injuries and property damage! This securement screw **17** must be installed to secure the TV onto the wall plate assembly **14**.



Manage Cables

! **IMPORTANT:** Fully extend the arm of wall plate assembly **14** to ensure you have enough slack in the cables for full TV movement.



TV Adjustments



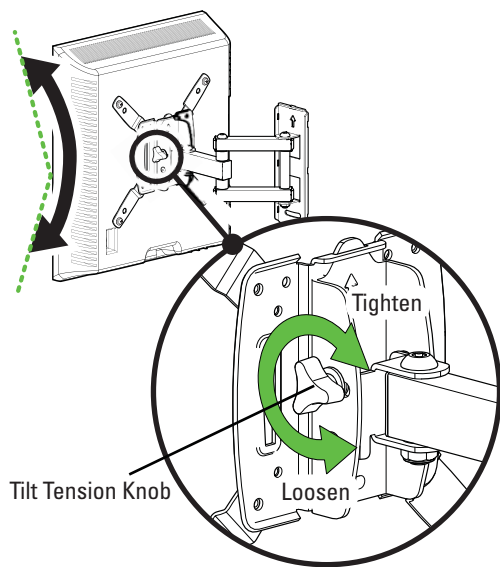
TILT ADJUSTMENT

Your TV should adjust easily when moved, then stay in place.

If your TV is too loose or too tight, adjust the tilt tension knob by hand.



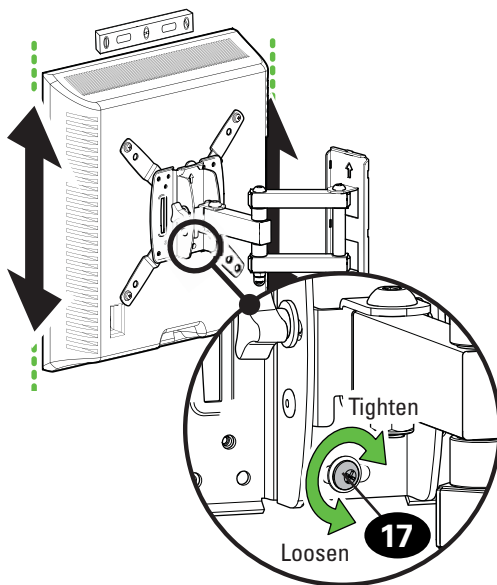
NOTE: Once your TV is in place, tighten the tilt tension knob to prevent unwanted movement.



LEVEL ADJUSTMENT

To adjust the leveling of your TV, loosen the securement screw **17**, level your TV, then tighten securement screw **17**.

! IMPORTANT: This securement screw **17** must be installed to secure the TV onto the wall plate assembly **14**.

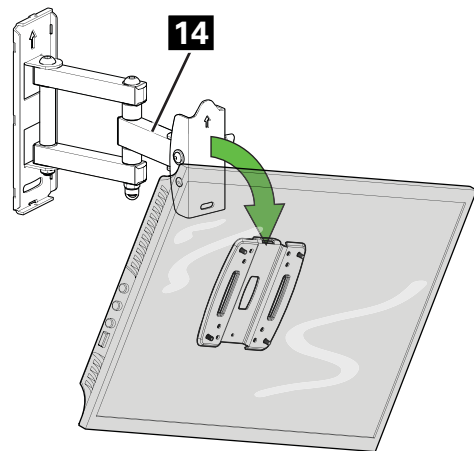


REMOVING THE TV

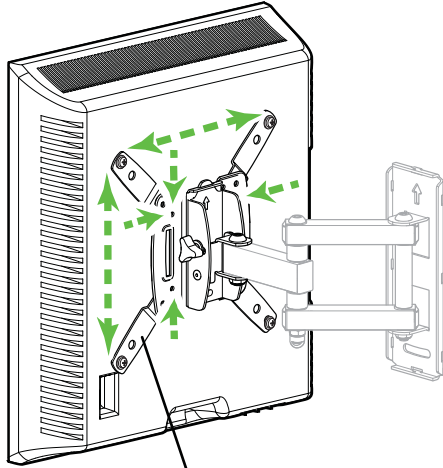
To remove your TV from the wall plate assembly **14**, disconnect all cables and then reverse the procedures in STEP 3.



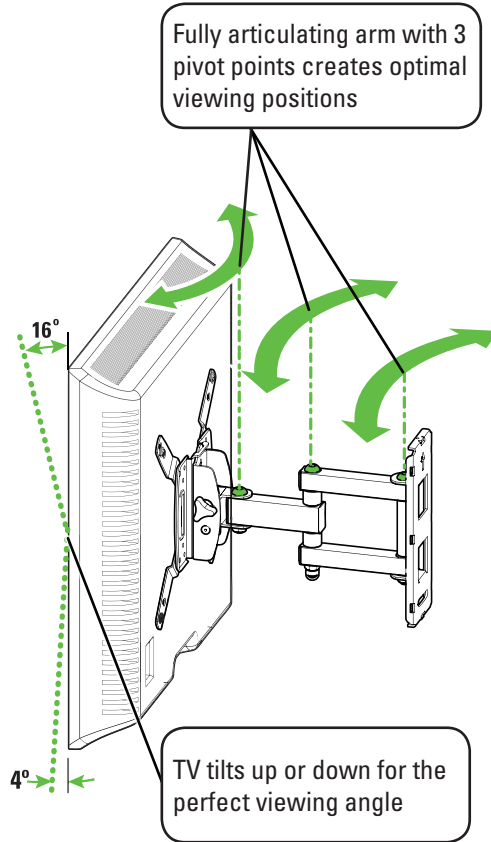
HEAVY! You may need assistance with this step.



Features

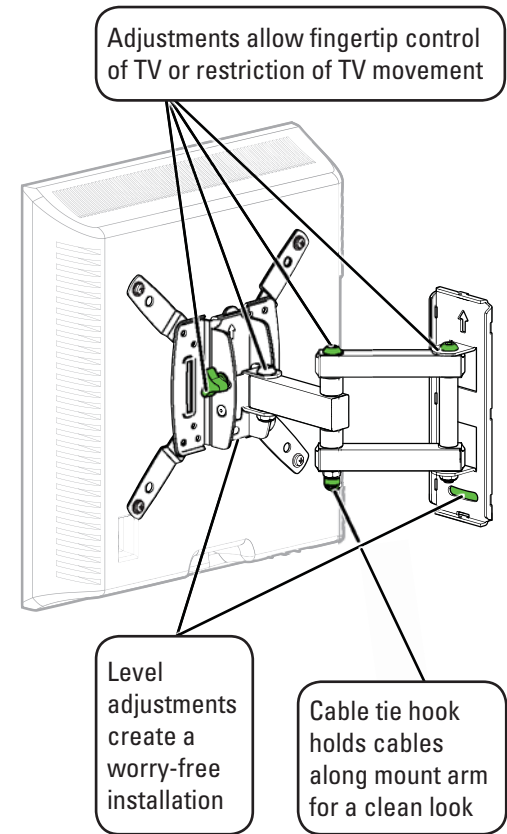


TV bracket expands to fit TV hole patterns from 75 x 75 mm up to 200 x 200 mm



Fully articulating arm with 3 pivot points creates optimal viewing positions

TV tilts up or down for the perfect viewing angle



Adjustments allow fingertip control of TV or restriction of TV movement

Level adjustments create a worry-free installation

Cable tie hook holds cables along mount arm for a clean look



Milestone AV Technologies and its affiliated corporations and subsidiaries (collectively, “Milestone”), intend to make this manual accurate and complete. However, Milestone makes no claim that the information contained herein covers all details, conditions, or variations. Nor does it provide for every possible contingency in connection with the installation or use of this product. The information contained in this document is subject to change without notice or obligation of any kind. Milestone makes no representation of warranty, expressed or implied, regarding the information contained herein. Milestone assumes no responsibility for accuracy, completeness or sufficiency of the information contained in this document.

©2016 Milestone AV Technologies. All rights reserved. ECHOGEAR is a Milestone brand. ECHOGEAR and the ECHOGEAR logo are trademarks of Milestone.

Made in China.

Milestone Global Headquarters • 6436 City West Parkway • Eden Prairie, MN 55344 USA

6901-002641 01