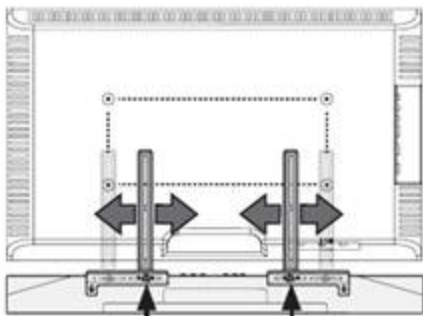


STEP 2.2

Adjust Soundbar to Your TV (VESA) Hole Pattern

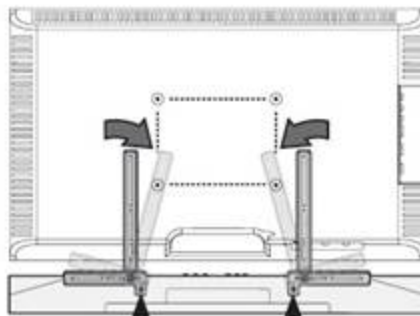
SLIDE or ROTATE or... SWITCH and ROTATE



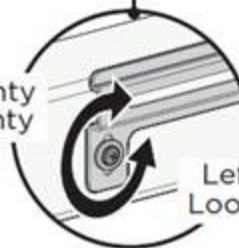
Righty
Tighty



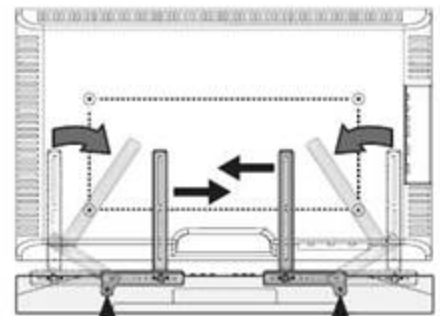
Lefty
Loosey



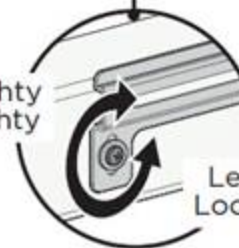
Righty
Tighty



Lefty
Loosey



Righty
Tighty



Lefty
Loosey