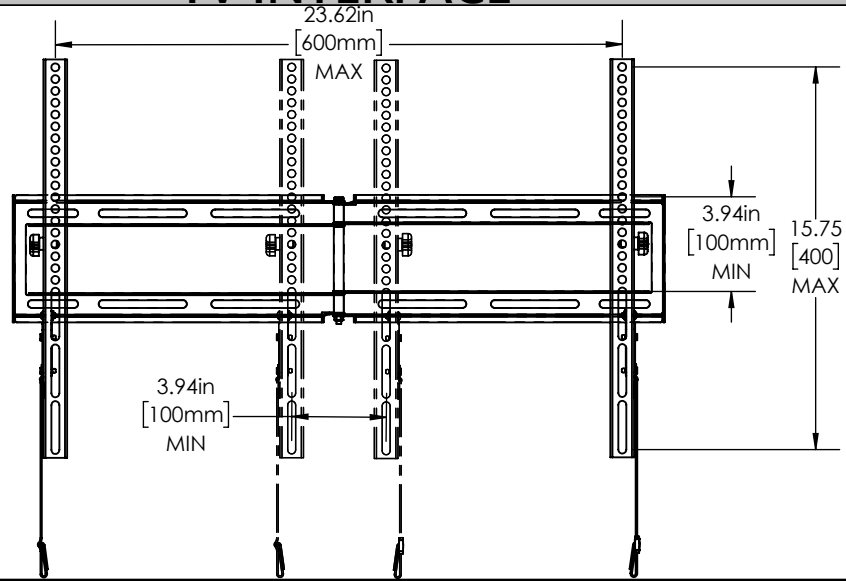


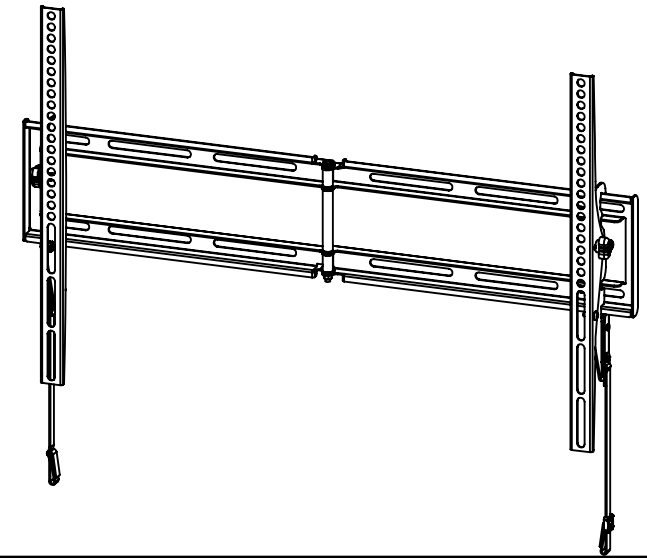
### TV INTERFACE



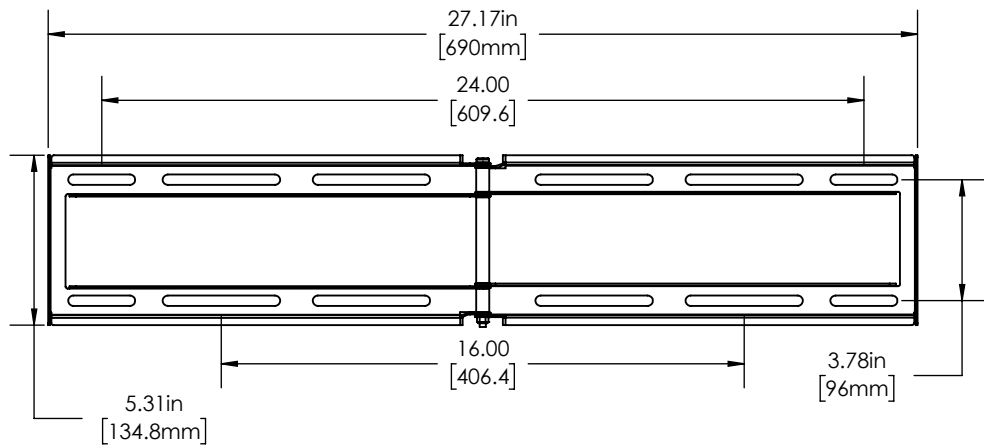
## LARGE TILT MOUNT, FOLDABLE 6805-002510-XXX

THE INFORMATION AND DESIGNS CONTAINED IN THIS DRAWING ARE CONFIDENTIAL AND THE PROPRIETARY PROPERTY OF LEGRAND | AV. NEITHER THIS DESIGN NOR ANY INFORMATION CONTAINED IN THIS DRAWING MAY BE REPRODUCED OR DISCLOSED TO OTHERS WITHOUT THE EXPRESS WRITTEN CONSENT OF LEGRAND | AV.  
本图纸所包含的信息和设计均系 LEGRAND | AV 机密和知识产权。本图纸包含的设计和信息未经 LEGRAND | AV 书面同意均不得复制或 者泄露给他人

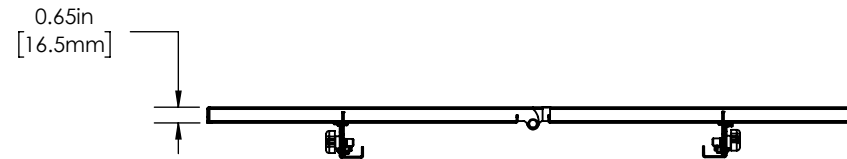
### 3-D



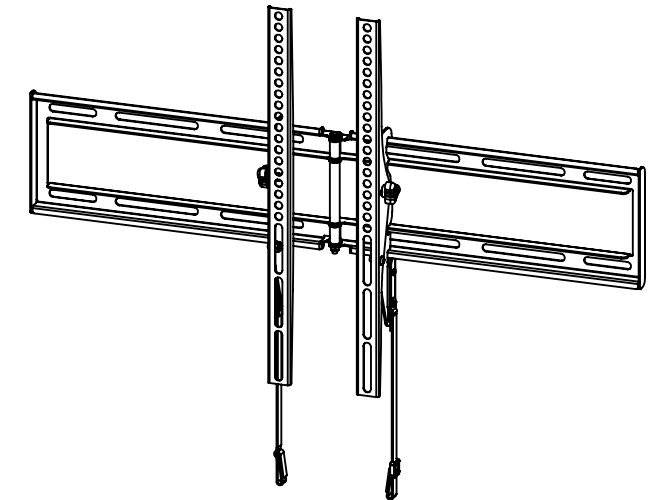
### WALL PLATE



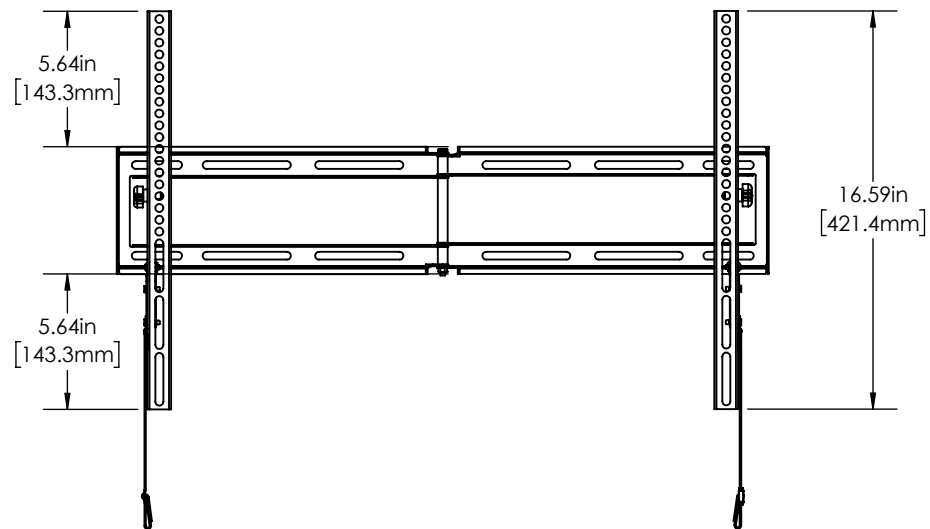
### TOP VIEW - TV MOUNTED



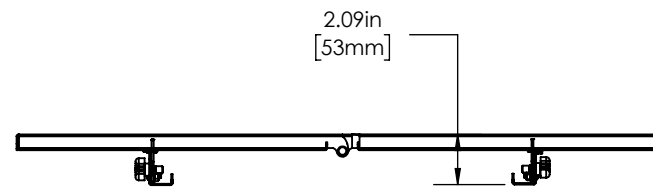
### 3-D



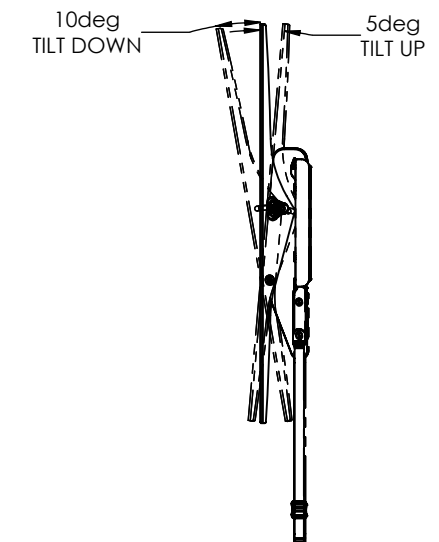
### FULLY ASSEMBLED MOUNT



### TOP VIEW



### SIDE VIEW



# LARGE TILT MOUNT, FOLDABLE 6805-002510-XXX

